



3D Printer User Manual

V1.0

Dear Users

Thank you for choosing our products. For the best experience, please read this User Manual carefully and strictly follow the instructions to operate the printer. Our teams will always be ready to provide you with the best services. Please contact us via the phone number or e-mail address provided at the end of this User Manual when you encounter any problem with the printer. For a better experience in using our products, you can also learn how to use the printer in the following ways: Accompanied instructions: you can find the relevant instructions and videos in the USB flash disk. You can also visit our official website (<https://www.creality.com>) to find information regarding software, hardware, contact information, device instructions, device warranty information, and more.

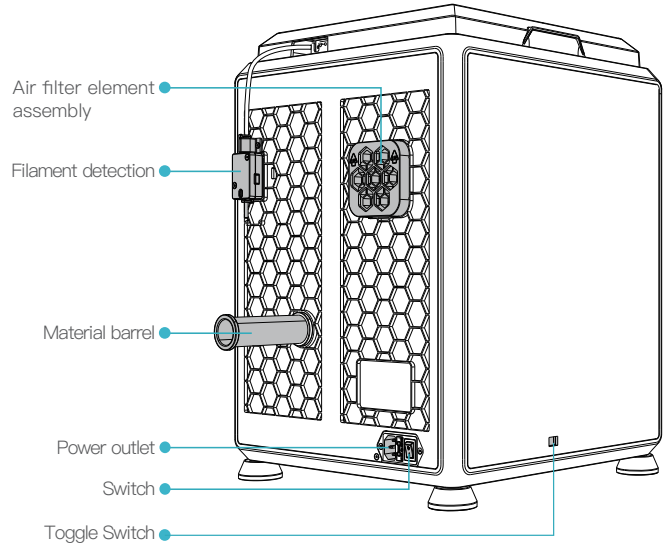
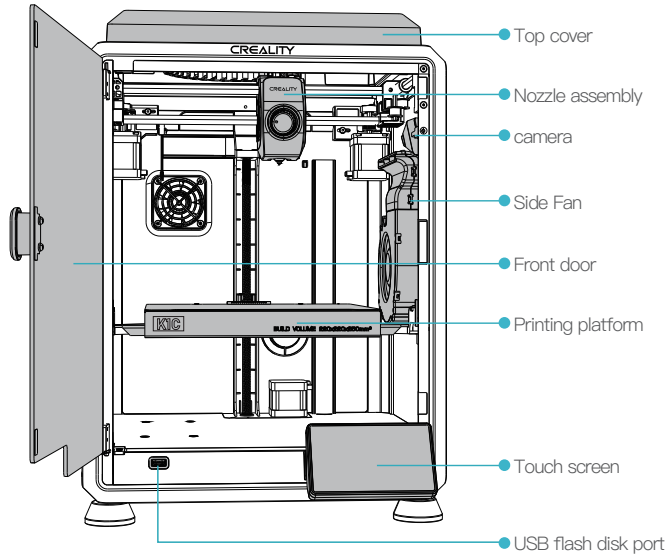
NOTES

- 1 Do not use the printer in any way other than described herein in order to avoid personal injury or property damage;
- 2 Do not place the printer near any heat source or flammable or explosive objects. We suggest placing it in a well-ventilated, cool and dustless environment;
- 3 Do not expose the printer to a violent vibration or any other unstable environment, as this may cause poor print quality;
- 4 Please use recommended filaments to avoid clogging of the extrusion head and causing damage to the machine;
- 5 Do not use the power cable of other products during installation. Always use a grounded three-prong power outlet, which accompanies the printer;
- 6 Do not touch the nozzle and the heated bed during operation to avoid burns or personal injury;
- 7 Do not wear gloves or wraps while operating the machine to prevent entrapment of movable parts that could cause crushing and cutting injuries to bodily parts;
- 8 Use the provided tools to clean the filament from the extruder in time taking advantage of the residual temperature after printing. Do not touch the extruder directly when cleaning, otherwise it may cause burns;
- 9 Clean the printer frequently. Clean the printer body with a dry cloth regularly after powering off the printer, wipe away dust, bonded print filament and foreign objects on the guide rails;
- 10 Children under 10 years old should not use the printer without supervision, otherwise it may cause personal injury;
- 11 Users should comply with the laws and regulations of the corresponding countries and regions where the equipment is located (used), abide by professional ethics, pay attention to safety obligations, and strictly prohibit the use of our products or equipment for any illegal purposes; Creality will not be responsible for any violators' legal liability under any circumstance;
- 12 Tip: Do not plug in or unplug wires on a charged basis.

1. About the Device	01-03
1.1 About the Printer	01-01
1.2 Device Specifications	02-02
1.3 Packing List	03-03
2. Unboxing	04-09
2.1 Unpacking Steps	04-05
2.2 Install the Product	06-08
2.3 Power-on guide	09-09
3. About the User Interface	10-12
3.1 Main、Prepare	10-10
3.2 Files	11-11
3.3 Tune、Support	12-12
4 First Printing	13-17
4.1 USB flash disk Printing	13-13
4.2 LAN Printing	14-15
4.3 Creality Cloud Printing	16-17
5. Functional Specification	18-21
5.1 Extrude、Filament Retreat	18-18
5.2 AI camera	19-21
6. Tips and Routine Maintenance	22-25
6.1 Maintenance Items	22-22
6.2 Precautions for printing	23-25

1. About the Device

1.1 About the Printer



1. About the Device

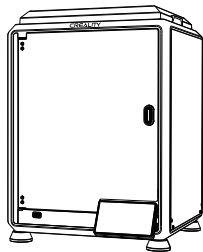


1.2 Device Specifications

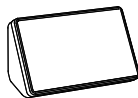
Basic Parameters	
Product Model	K1C
Dimensions	355*355*482mm
Machine Weight	12.4kg
Max. Build Dimensions	220*220*250mm
Print Technology	FDM
Rated Voltage	100–120V~/200–240V~, 50/60Hz
Rated Power	350W
Ambient temperature	10°C–35°C / 50°F–86°F
Extruder	Sprite Direct Drive
Supported Filament	PLA/TPU/PETG/ASA/ABS/PET/Carbon/PLA-CF/PA-CF
Max. Heated Bed Temperature	100°C
Max. Nozzle Temperature	300°C
User Interface	4.3 inch touch screen
Print Interface	USB Flash Disk/LAN Printing/Creality Cloud Printing
Power Loss Recovery	Yes
Filament Detection	Yes
Auto leveling	Yes
camera	Yes

1. About the Device

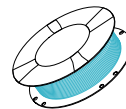
1.3 Packing List



1 Printer



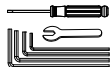
2 Touch screen



3 Filament



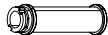
Tool Box List



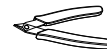
4 Wrench and Screwdriver x1



5 Blade x1



6 Material barrel x1



7 Cutting plier x1



8 1.2mm nozzle cleaner x1



9 USB flash disk x1



10 Power Cable x1



11 M6 socket spanner x1



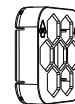
12 Door handle assembly x1



13 Quick Guide x1



14 After-sales Services Card x1



15 Air filter cartridge assembly x1



16 Material rack screws M3*18 x3

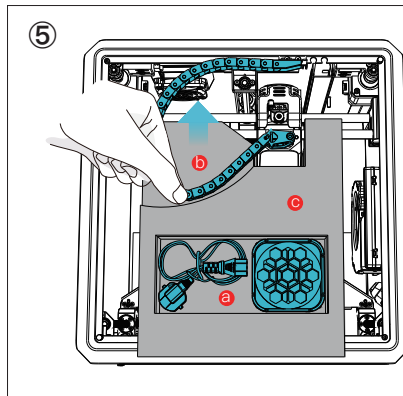
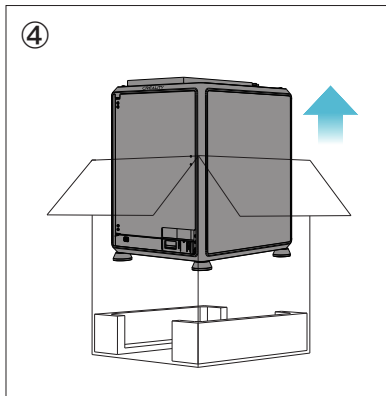
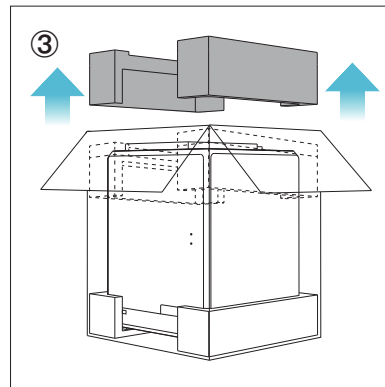
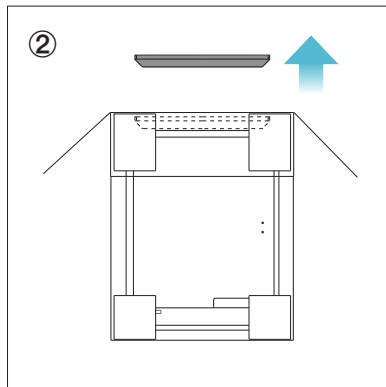
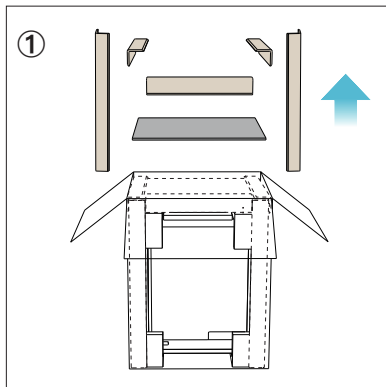


17 Material rack screws M3*12 x1

Tips: the above accessories are for reference only. Please refer to the physical accessories!

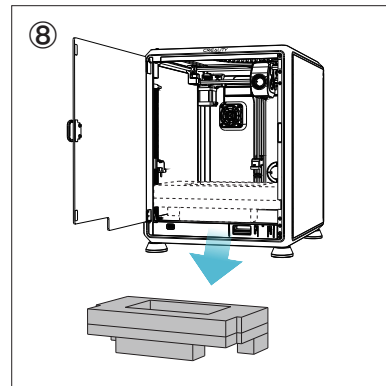
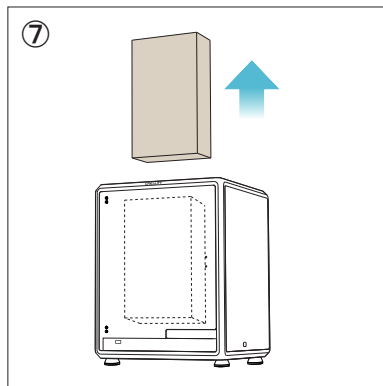
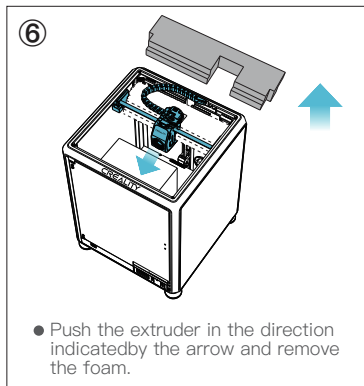
2. Unboxing

2.1 Unpacking Steps



- ❶ Remove the power cord and air filter cartridge assembly;
- ❷ Move the chain to one side in the direction indicated by the arrow;
- ❸ Finally, take the grey foam as shown.

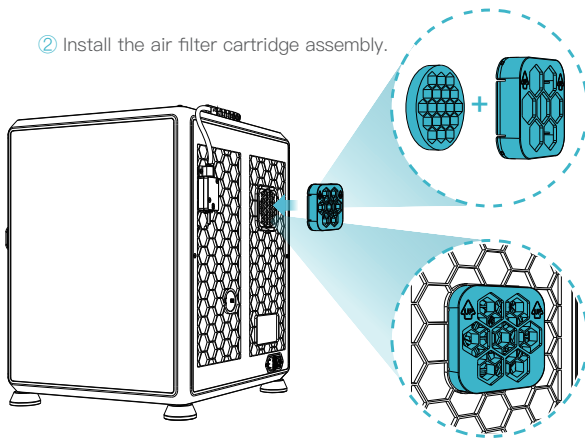
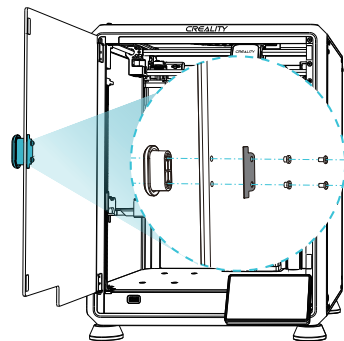
2. Unboxing



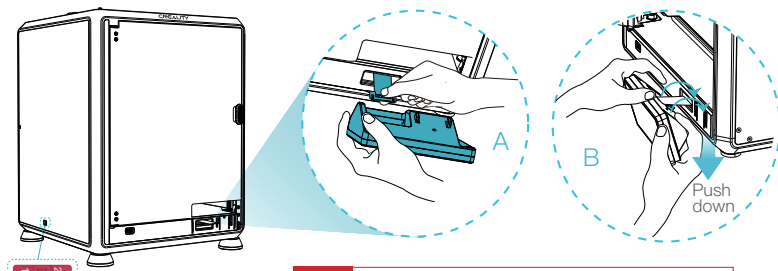
2. Unboxing

2.2 Install the Product

- ① Install the door handle on the front door as shown in the diagram. ② Install the air filter cartridge assembly.



- ③ Take the touch screen out of the tool box and connect the touch screen to the flat cable extended from the base according to Figure A. Then snap the touch screen into the slot in the baseplate, as shown in Figure B. (The direction is as shown in the figure; otherwise, the screen interface may be damaged.)



115V
230V



Caution:

- Do not power up the machine while you are connecting or disconnecting the touch screen.
- The flexible flat cable of the base is pulled lightly and broken carefully.

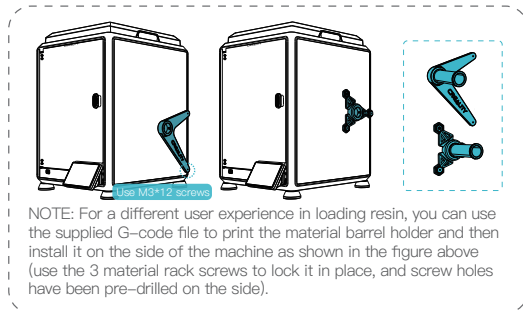
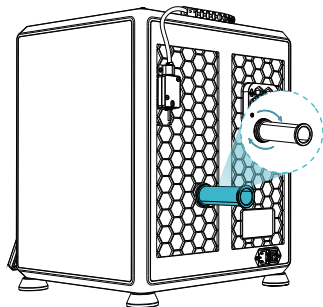


Caution:

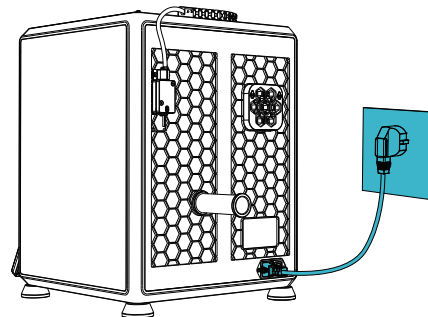
- Please ensure the correct position for the power supply switch and mains before supply connection, in order to avoid damage to the device.
- If the mains between 100V and 120V, please select the 115V for the power supply switch with a straight screwdriver.
- If the mains between 200V and 240V, please select the 230V for the power supply switch (default is 230V) with a straight screwdriver.

2. Unboxing

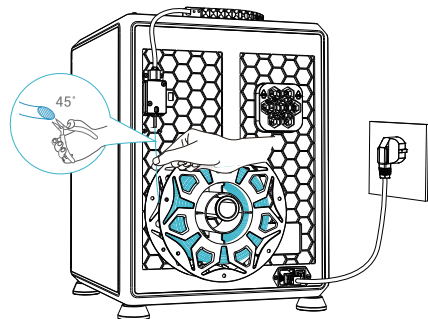
- ④ Install the material barrel.



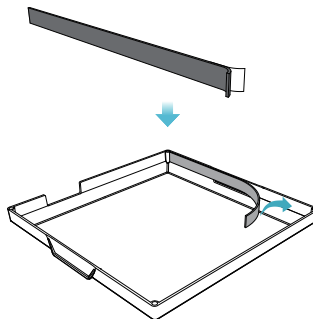
- ⑤ Connection and power on.



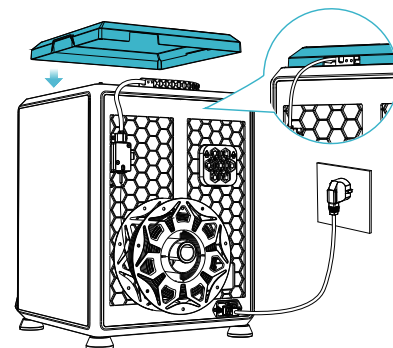
- ⑥ Load filaments.
(Insert the filaments into the deepest part of Teflon tube until it cannot be moved.)



- ⑦ Attach the buffer strip to the inner edge of the top cover.



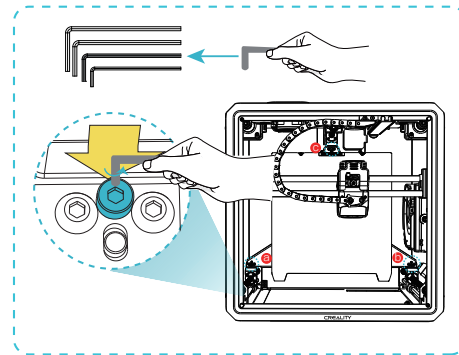
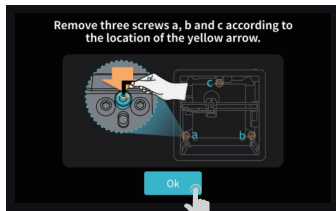
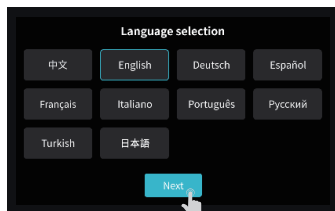
- ⑧ Install the top cover.



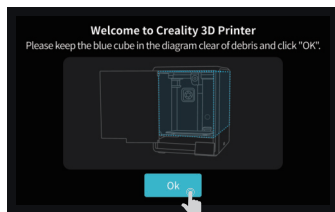
1. When printing with low-melting-point filaments such as PLA and flexible filaments, if the chamber temperature exceeds 35°C, please remove the transparent cover.
2. When printing high melting-point filaments such as non-PLA and non-flexible filaments, be sure to keep the forming chamber temperature with the clear top cover closed to avoid cracking of the mould.

2. Unboxing

⑨ Select a language and click “Next”, Remove three screws a, b and c according to position indicated by the yellow arrow. click “OK” on the screen.



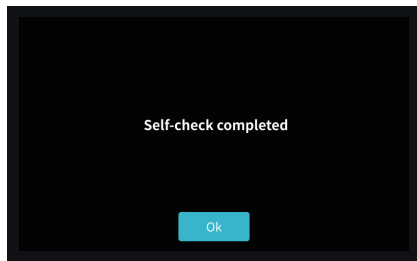
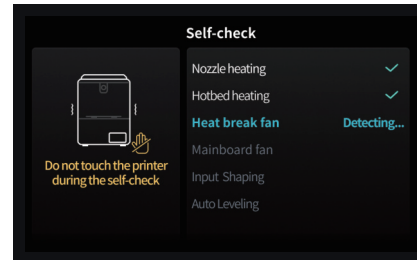
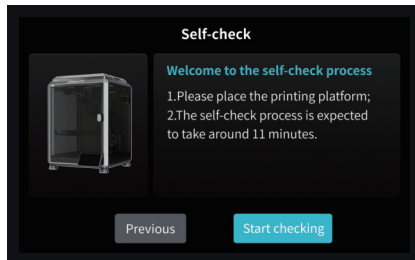
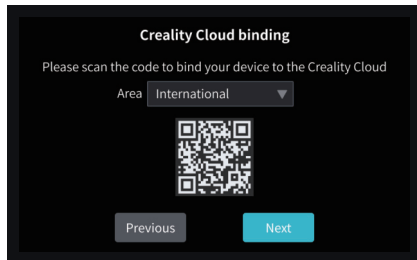
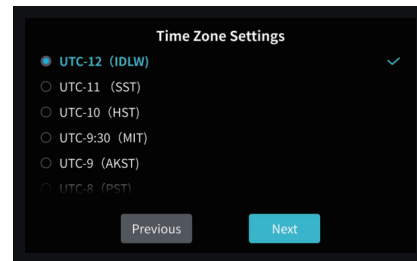
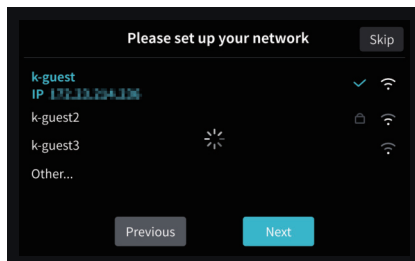
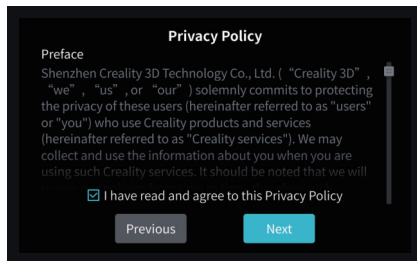
⑩ Keep the blue cube in the figure clean of debris and then click “OK”.



Note: The current interface is for reference only. Due to the continuous upgrading of functions, it shall be subject to the latest firmware UI published on the official website.

2. Unboxing

2.3 Power-on guide



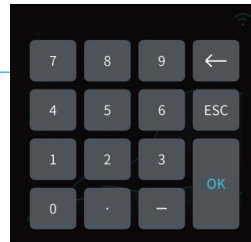
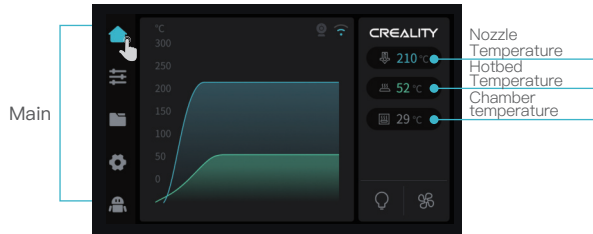
Reminder: When the printing time of the device exceeds 300 hours, or if the printing platform or nozzles have been replaced, the distance between the platform and nozzles may change that caused the first layer of the model may not stick firmly, resulting in printing failure. Please calibrate the platform regularly.



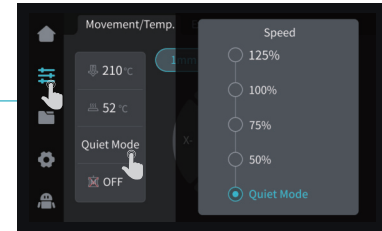
Note: The current interface is for reference only. Due to the continuous upgrading of functions, it shall be subject to the latest firmware UI published on the official website.

3. About the User Interface

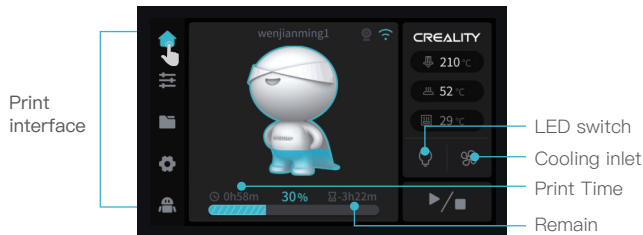
3.1 Tune、Prepare



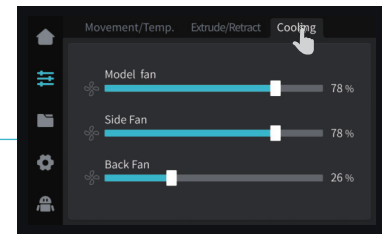
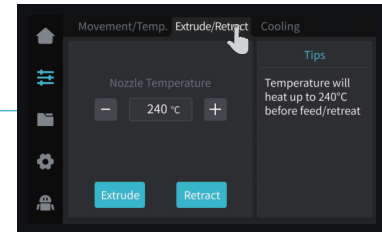
Parameters can be manually set



This screen allows you to reduce the machine's working volume by selecting the Mute Mode



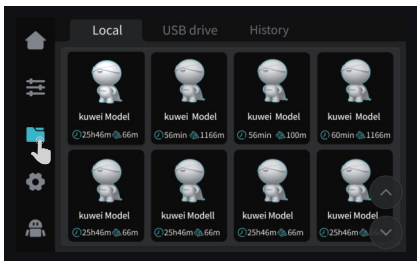
Prepare



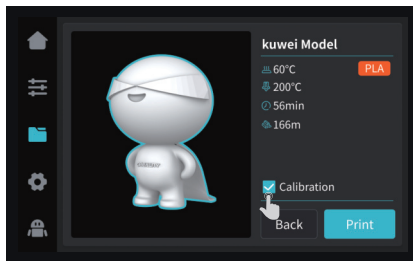
Note: The current interface is for reference only. Due to the continuous upgrading of functions, it shall be subject to the latest firmware UI published on the official website.

3. About the User Interface

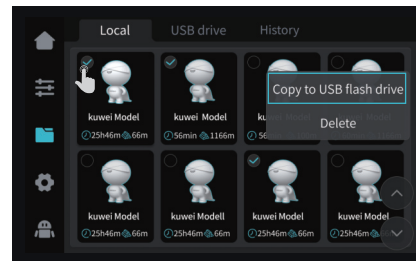
3.2 Files



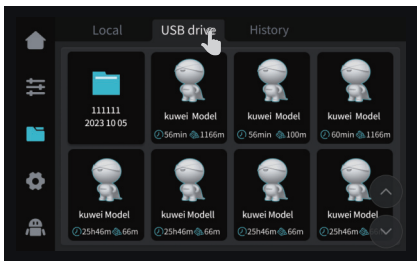
① Local model



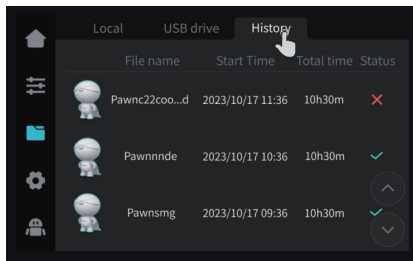
Tips: Choosing print calibration can improve print quality



② Press and hold on the model to multi-select and copy it to a USB flash drive



③ USB flash drive model



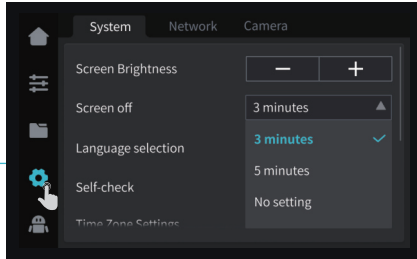
④ History



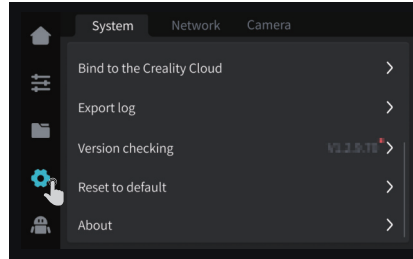
Note: The current interface is for reference only. Due to the continuous upgrading of functions, it shall be subject to the latest firmware UI published on the official website.

3. About the User Interface

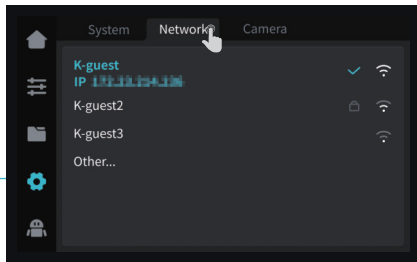
3.3 Tune、Support



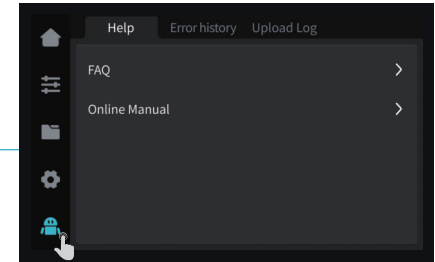
System



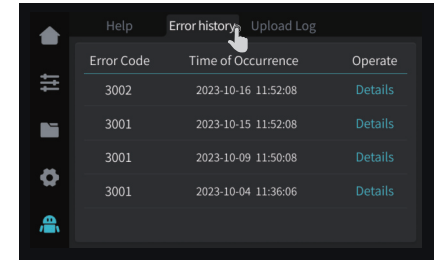
System



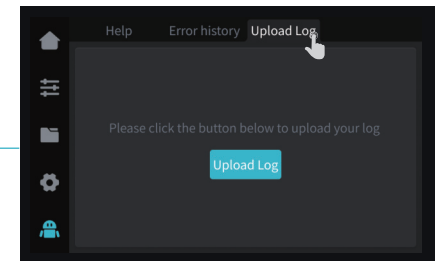
Network



Help



Error history



Upload Log

Tune

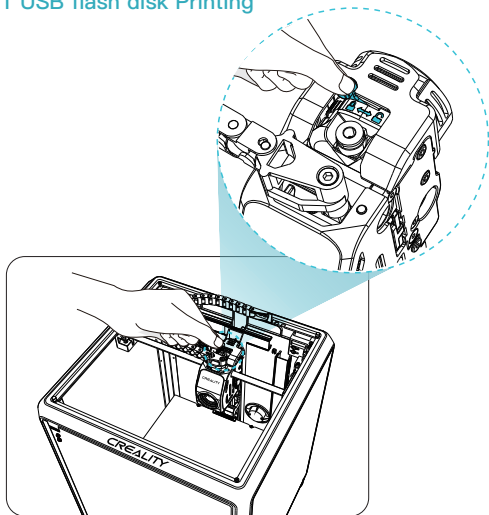
Support



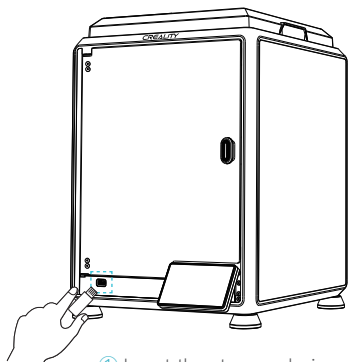
Note: The current interface is for reference only. Due to the continuous upgrading of functions, it shall be subject to the latest firmware UI published on the official website.

4. First Printing

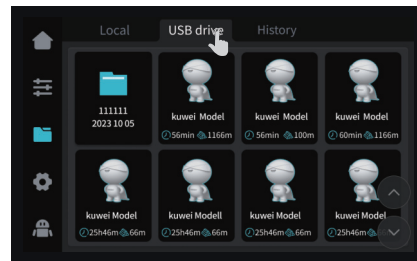
4.1 USB flash disk Printing



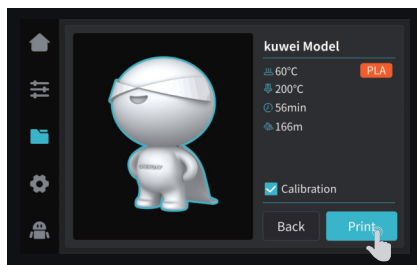
Note: Keep the Extrusion switch lock before printing.



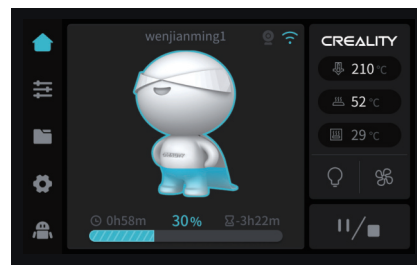
① Insert the storage device



② USB flash drive model



③ Select to print



④ Printing



Note: The current interface is for reference only. Due to the continuous upgrading of functions, it shall be subject to the latest firmware UI published on the official website.

4. First Printing

4.2 LAN Printing

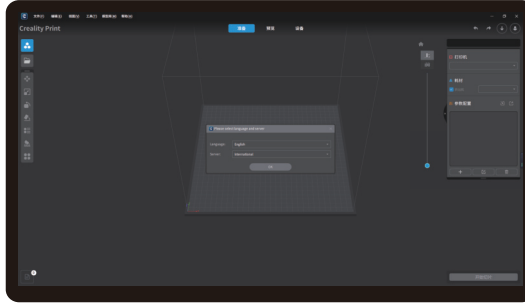
Creality Print



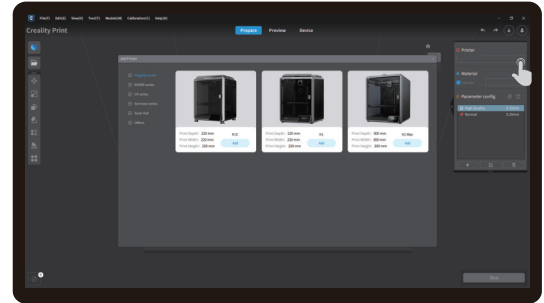
① Download at (www.crealitycloud.com) or find the software on a USB flash drive and install it.



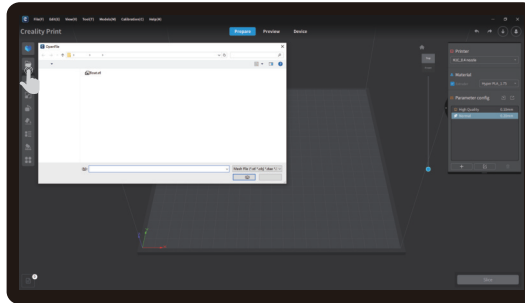
Tips: the computer must be in the same local area network as the printer



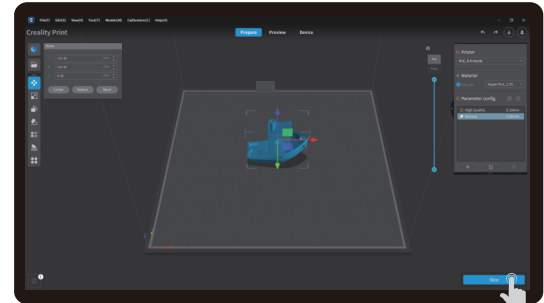
② Choose a language and region



③ Choose a Printer



④ Import model files

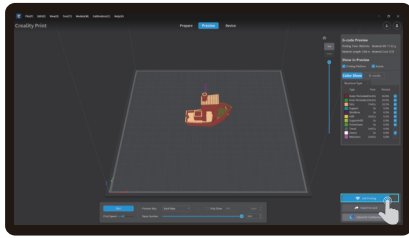


⑤ Open the model and click on "Slice"

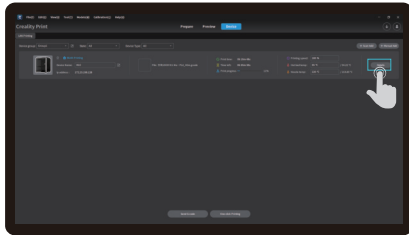


Note: The current interface is for reference only. Due to the continuous upgrading of functions, it shall be subject to the latest software UI published on the official website.

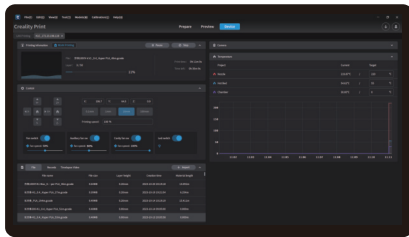
4. First Printing



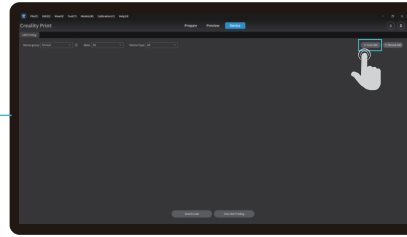
⑥ Selection of LAN printing



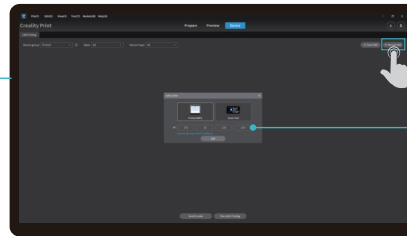
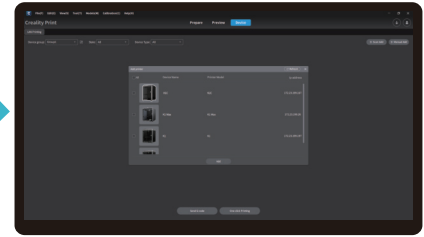
⑧ Device List



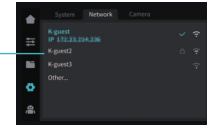
⑨ Device Details



⑦ Add a device: a. Add by scanning → Select a device



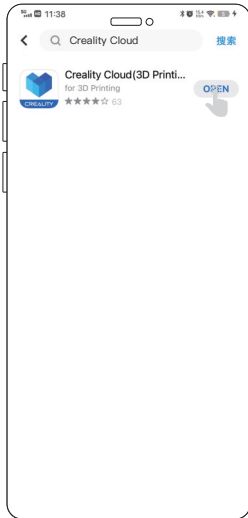
⑦ Add a device: b. Add a device by manually entering the IP address



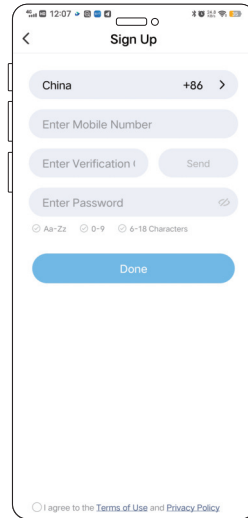
Note: The current interface is for reference only. Due to the continuous upgrading of functions, it shall be subject to the latest software UI published on the official website.

4. First Printing

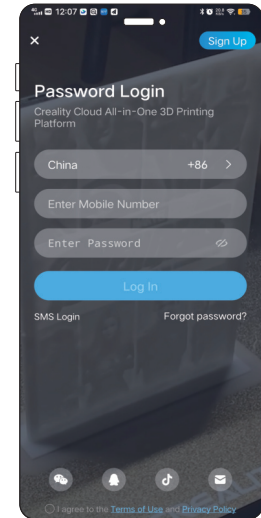
4.3 Creality Cloud printing



① Search for “Creality Cloud” in the App Store, download and install it

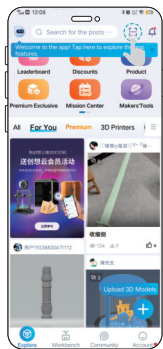


② Sign up

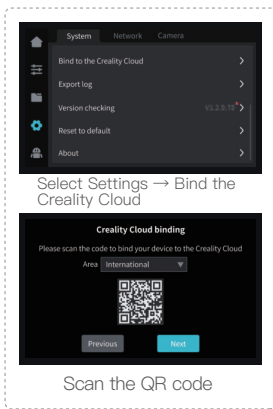


③ Log in

4. First Printing



④ Add a new device



Select Settings → Bind the Creality Cloud

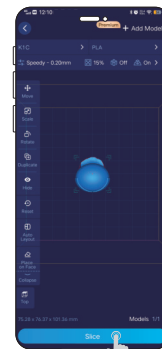
Scan the QR code



⑤ Added successfully



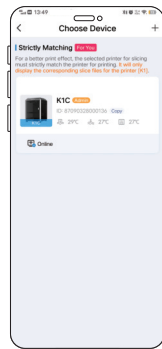
⑥ Select model on the homepage



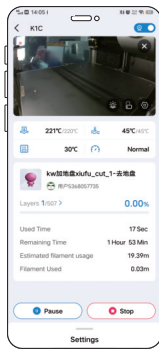
⑦ Slice



⑧ Print



⑨ Select a device



⑩ Printing...

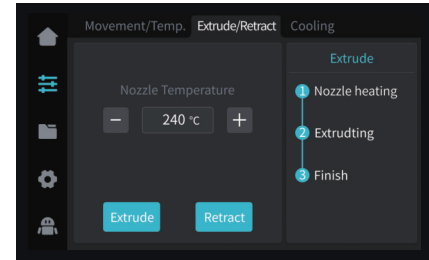
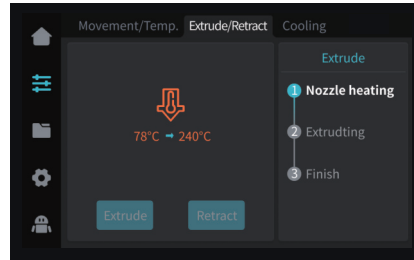
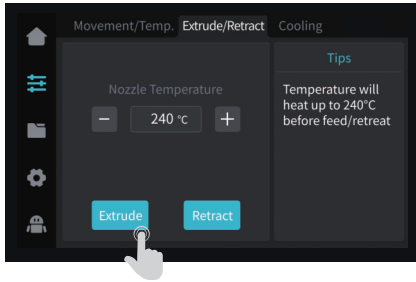


Note: The current interface is for reference only. Due to the continuous upgrading of functions, it shall be subject to the latest software UI published on the official website.

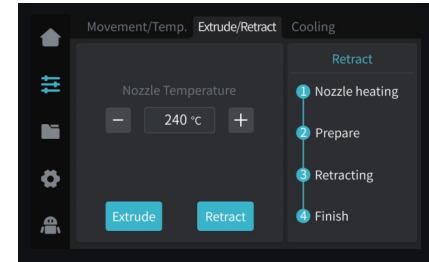
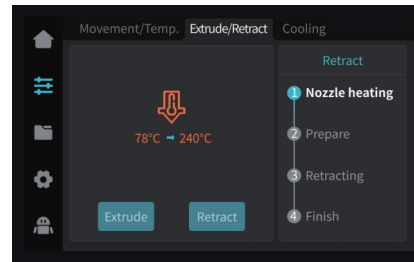
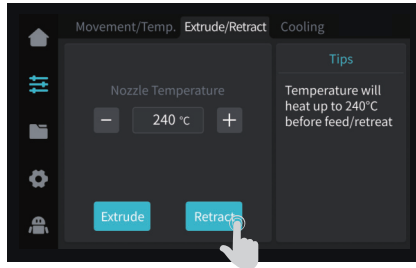
5. Functional Specification

5.1 Extrude, Filament Retreat

Extrude



Filament Retreat



NOTE: The nozzle temperature must be set according to the filament properties.

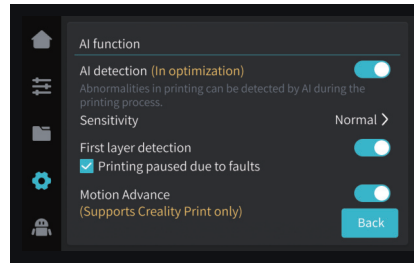
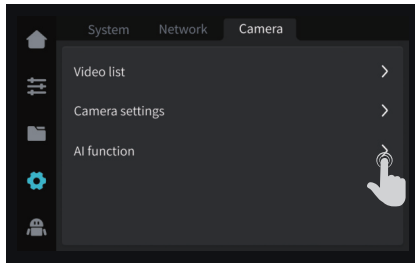


Note: The current interface is for reference only. Due to the continuous upgrading of functions, it shall be subject to the latest firmware UI published on the official website.

5. Functional Specification

5.2 AI camera

5.2.1 View the AI camera image using Creality Print or the Creality Cloud App. (The AI camera monitors the printing process, and captures time-lapse photography. The AI detects foreign matters on the platform before printing, and detects printing abnormalities while printing is in progress.)

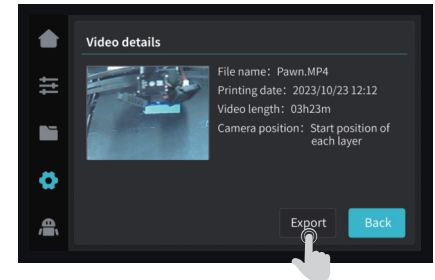
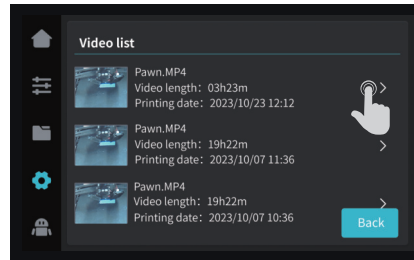
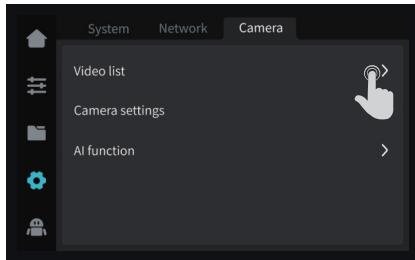


Users have the flexibility to activate AI features according to their specific requirements.

5.2.2 Viewing time-lapse photography

Method 1:

Click on “System Settings” – “Camera” – “Video List” – “Export to USB flash disk”

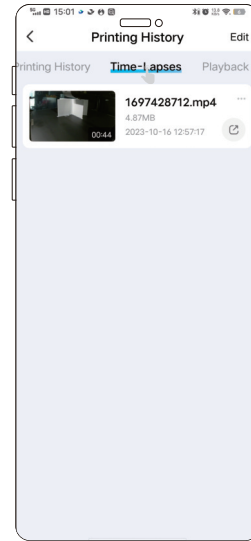
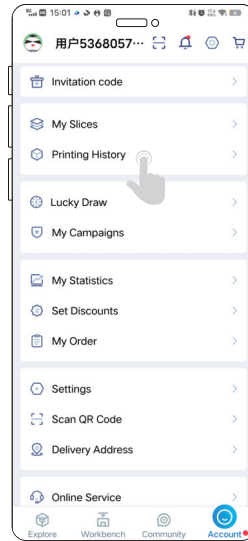
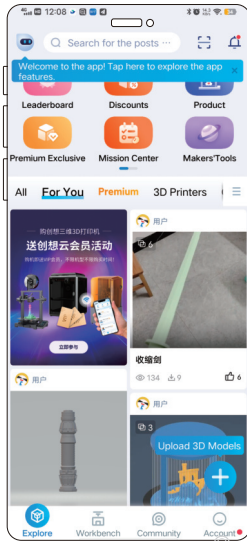


Note: The current interface is for reference only. Due to the continuous upgrading of functions, it shall be subject to the latest firmware UI published on the official website.

5. Functional Specification

Method 2:

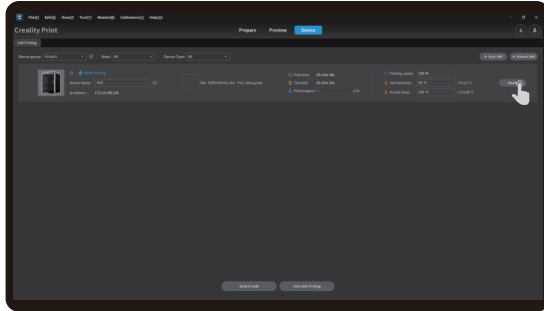
Open “Creality Cloud”, click on “Account” – “Print Records” – “Time-lapse Photography” (Note: Creality Cloud must be linked to the device first)



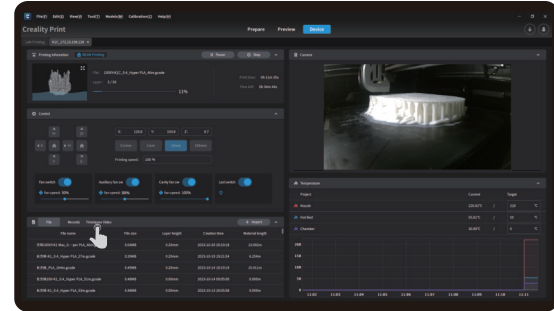
Note: The current interface is for reference only. Due to the continuous upgrading of functions, it shall be subject to the latest software UI published on the official website.

5. Functional Specification

Method 3:



1. Click on "Details"



2. Choose "Time-lapse Photography"



Note: The current interface is for reference only. Due to the continuous upgrading of functions, it shall be subject to the latest software UI published on the official website.

6. Tips and Routine Maintenance

In the event that any of the above problems arise and cannot be resolved:

- ① Please visit <https://www.crealitycloud.com/product>, click “Products” and select the right model, and then click “Related” to view the tutorials on after-sales service;
- ② Or contact our after-sales service center at +86 755 3396 5666, or send e-mail to cs@creality.com.

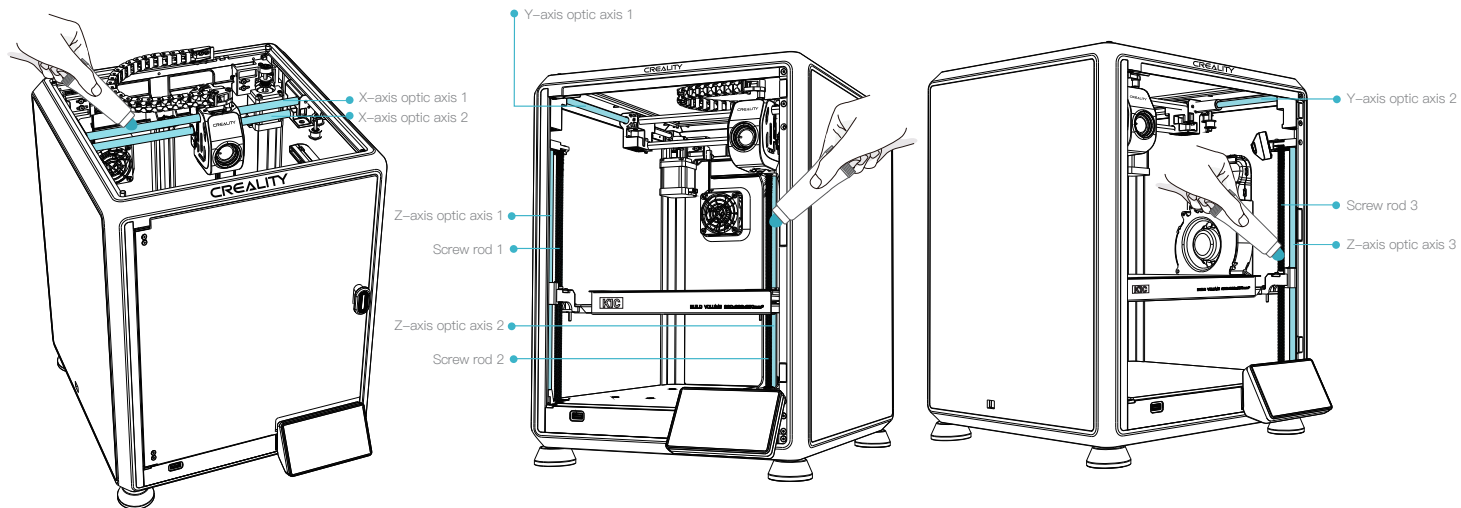
6.1 Maintenance Items

	Maintenance instructions	
Machine cleanup	Clean the debris inside the machine to ensure that its operation is not affected.	Before each print
Hot end	Solution to extruder blockage: After preheating and removing the filaments, raise the temperature of the extruder and poke into the extruder from top to bottom using an extruder cleaner until the blocked filaments are poked out.	After extruder blockage
	Replace the nozzle.	Cumulative print time per 500 hours
	Check if the wire output is normal, if not, please check if the extruder is blocked.	After each change of filaments
	Check the nozzle for filament residue, if so, heat the nozzle and remove it with a tool.	Before each print
Printing platform	Check the surface of the platform for residual filaments and glue, if so, clean the surface of the platform.	Before each print
Motion mechanism	XYZ optic axis lubrication.	Cumulative print time per 500 hours
Equipment self-test	Axis movement.	Cumulative print time per 300 hours
	Optimization of vibration veins.	
	Auto Leveling.	
Filament replacement	Replacement of filaments of the same kind: follow the normal Retreat – Feed process.	/
	Replacement of different filaments: Preheat the nozzle to reach the target temperature of the current filament; then retreat it, replace with the target filament, and preheat the nozzle to the higher filament extrude temperature of the two filaments; feed for 30s until the filament has been completely extruded, and finally set the nozzle temperature to the temperature of current filament nozzle.	

6. Tips and Routine Maintenance

6.2 Precautions for printing

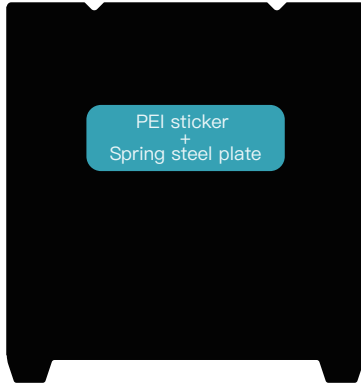
6.2.1 Lubrication and maintenance



Tips: please grease and lubricate the designated areas regularly (as shown in the picture).
(Users may buy the grease themselves for machine maintenance.)

6. Tips and Routine Maintenance

6.2.2 Use and maintenance of flexible platform

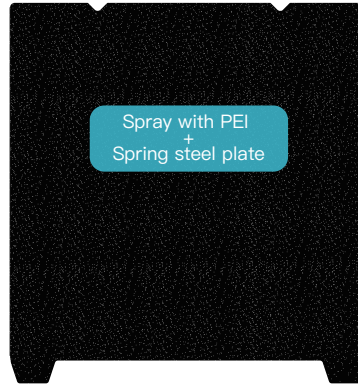


Features

- Suitable for low-temperature hotbed printing, such as printing at 45°C by PLA for energy efficiency
- Compatible with various filaments, including PLA/ABS/TPU/PETG, and more
- Smooth bottom surface
- Flexible, easy to demold, and can be bent for demolding

Precautions for use

- Surface A is not resistant to oil or hand sweat; it needs to be cleaned or coated with adhesive before printing.
- PEI stickers are prone to be damaged; high nozzle temperatures and forceful model removal can cause warping. Metal blades may damage the PEI sticker layer
- When printing with engineering materials like ABS, adhesive is required. It is recommended to use the attached rubber stick or purchase specialized 3D printing adhesives like LALDC/maigoo.



Features

- High temperature resistance, longer lifespan.
- Compatible with various filaments, including PLA/ABS/PETG/PLA-CF/PA-CF/ASA, and more
- The bottom surface has a textured finish
- Flexible, easy to demold, and can be bent for demolding

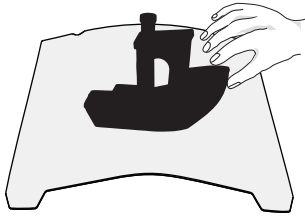
Precautions for use

- Increase the hotbed temperature by 10°C during printing.
- When printing with engineering materials like ABS, adhesive is required. It is recommended to use the attached rubber stick or purchase specialized 3D printing adhesives like LALDC/maigoo

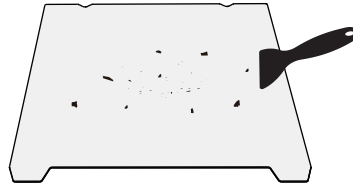


If you want to buy the above flexible platform, you can enter the mall <https://vip.creality.com/en/goods-detail/2105> for purchase.

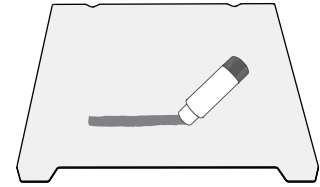
6. Tips and Routine Maintenance



① Together with the flexible platform after the printed model has been cooled down Remove from the device and partially bend the platform slightly to separate the model from the platform.(No excessive bending of the platform to prevent it from being deformed and unusable)

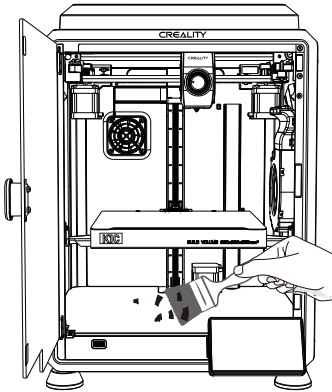


② The residue of the platform filaments can be scraped off with a blade. Be cautious of safety when using.



③ When the first layer of the model is not glued, it is recommended to apply glue stick evenly on the surface of the platform.

6.2.3 Cleaning of debris inside the chassis



Reminder: Since the printing platform is quick-wear, it is recommended to replace the printing platform regularly to ensure that the first layer of the model is adhered.

Since each model is different, the actual product may be different from the picture. Please refer to the actual product.
The final interpretation right belongs to Shenzhen Creality 3D Technology Co., Ltd.



SHENZHEN CREALITY 3D TECHNOLOGY CO., LTD.

Add: 18th Floor, JinXiuHongDu Building, Meilong Road, Xinniu Community,
Minzhi Street, Longhua District, Shenzhen City, China.

Official Website: www.creality.com

Tel: +86 755-8523 4565

E-mail: cs@creality.com



R 214-126408

