

## 3W High Power Edge light LED Module

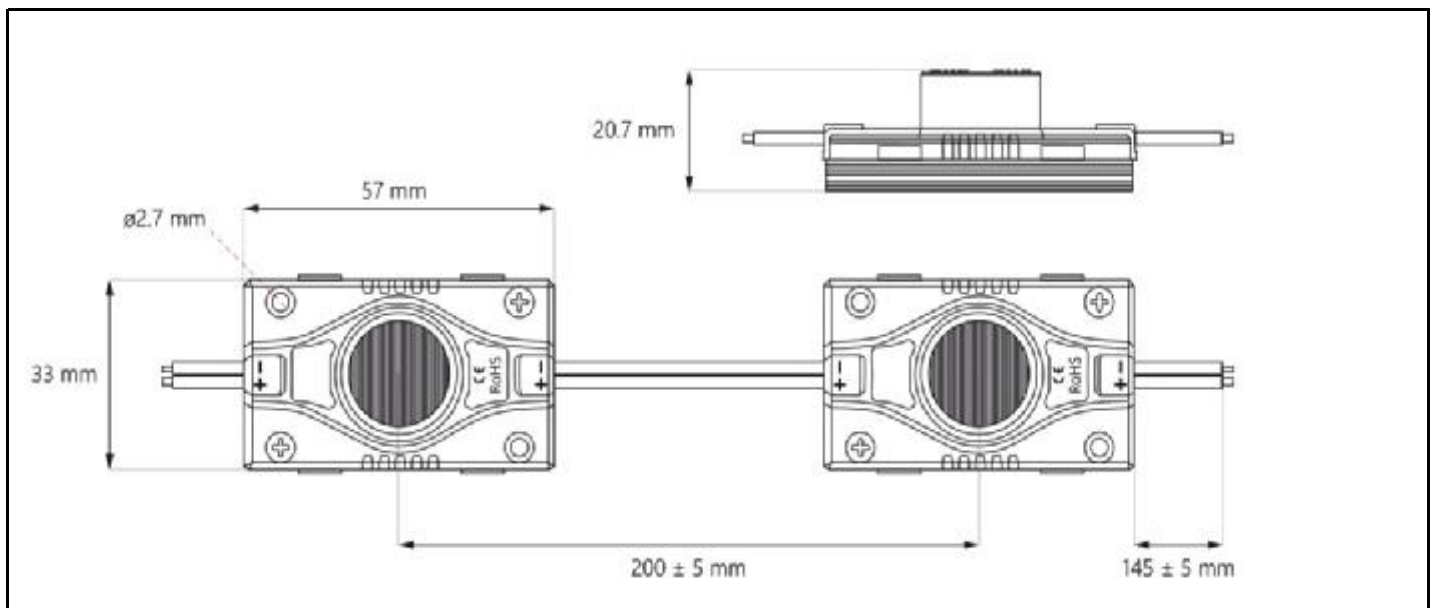
Best for T20cm+ Huge Light Box Side Lighting

P/N: MH-3W

Super bright narrow beam angle 15\*55° LED module designed for edge lighting large single and double sided lightbox. The LED lights are high-powered at 3 watts each and make use of 3535 LED chips.



### Dimensions(mm):





### Features & benefits

- Lit by Edison led, 3W/Module, 240-260lm
- For Edge-Lit applications with up to 3.5 m throw
- LM80 international certificate for LEDs
- Constant current tech, every single module cuttable
- Light decay < 30% after 50,000 hrs
- 5 years Warranty

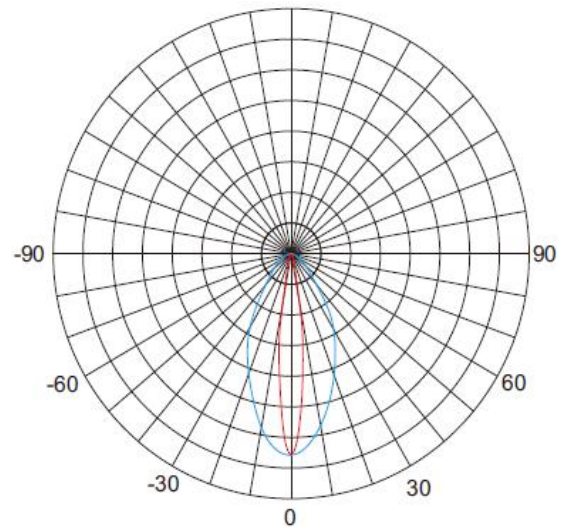
### Application

- Large Lighting box single and Double sides
- Recommended depth 100 – 250 mm

## Technical information

Colors available:	 
Color temperature:	4000k/6500k
Voltage:	12VDC
Power/module:	3.0W
Light Output	240lm
CRI:	>80
LED type:	9V 3535 SMD
LED QTY:	1 LED/pc
Chip Brand:	EDISON
Beam Angle:	15*55°degree
IP Rate:	IP67
Operating temperature	-25°C~60°C
Demension:	57*33*15.3 mm
Current Stabilization	YES
Dimmable	YES
Certification:	CE and RoHS compliant
Life time:	50,000hrs
Warranty:	5 Years

## Light distribution graph



## Packing information

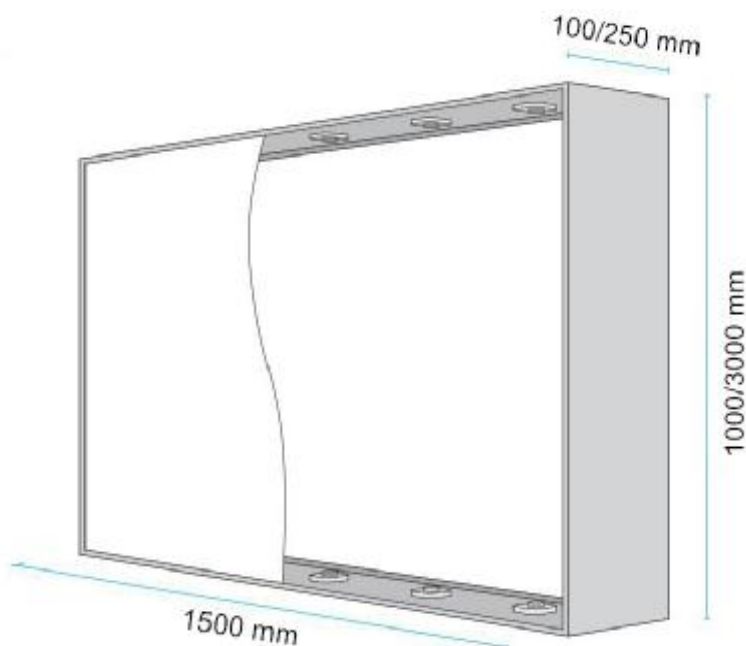
Chain: 20 pcs (net weight: 0.4 kg)

Bag: 60 pcs (net weight: 1.20 kg)

Box: 840 pcs (net weight 16.8 kg)

Carton Size: 52\*37\*26 cm

## Install Diagram



- No. of led module: 24 pcs
- Lumen output: 5760 lm
- Power usage: 72W

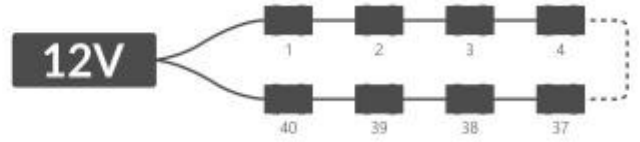
**Note: The exact number of modules depend on the used material and the effects you want to achieve**

## [Connection Diagram](#)

one-side power input: **max 20 pcs**



two-side power input: **max 40 pcs**



DongSenLED Co., Limited

+86 150 9994 6431 / [info@dongsenled.com](mailto:info@dongsenled.com)

[www.DongSenLED.com](http://www.DongSenLED.com)

(c) 2021. All rights reserved

Specifications subject to change without notice



**RoHS**