

ECN #	APPRVD.	DATE
08-023523	IEC	26DEC08

SAFETY ORGANIZATIONS

THIS FILTER HAS BEEN FORMALLY RECOGNIZED, CERTIFIED OR APPROVED BY THE LISTED AGENCY. THEREFORE, ALL TEST/REQUIREMENTS SPECIFIED IN THE LATEST REVISION OF THE FOLLOWING AGENCY STANDARDS HAVE BEEN MET:

- UL RECOGNIZED: UL 498
- CSA CERTIFIED: CSA 22.2, # 42 (THROUGH UL)
- VDE APPROVED: EN 60320-1

OPERATING SPECIFICATIONS

LINE CURRENT/VOLTAGE: 15 AMP, 120/250 VAC,
10 AMP/40°C, 250 VAC

LINE FREQUENCY: 50-60Hz

MAXIMUM LEAKAGE CURRENT,
EACH LINE TO GROUND: 0.00 mA @ 120V 60Hz
0.00 mA @ 250V 50Hz

OPERATING AMBIENT TEMP. RANGE: -10°C TO +40°C @ RATED CURRENT, I_r.

IN AN AMBIENT, T_a, HIGHER THAN 40°C, THE MAXIMUM OPERATING CURRENT, I_o, IS AS FOLLOWS:

$$I_o = I_r \sqrt{\frac{85 - T_a}{45}}$$

RELIABILITY SPECIFICATIONS:

STORAGE TEMPERATURE: -40°C TO +85°C
HUMIDITY: 21 DAYS @ 40°C 95% RH.
CURRENT OVERLOAD TEST: 6 TIMES I_r FOR
8 SECONDS

TEST SPECIFICATIONS:

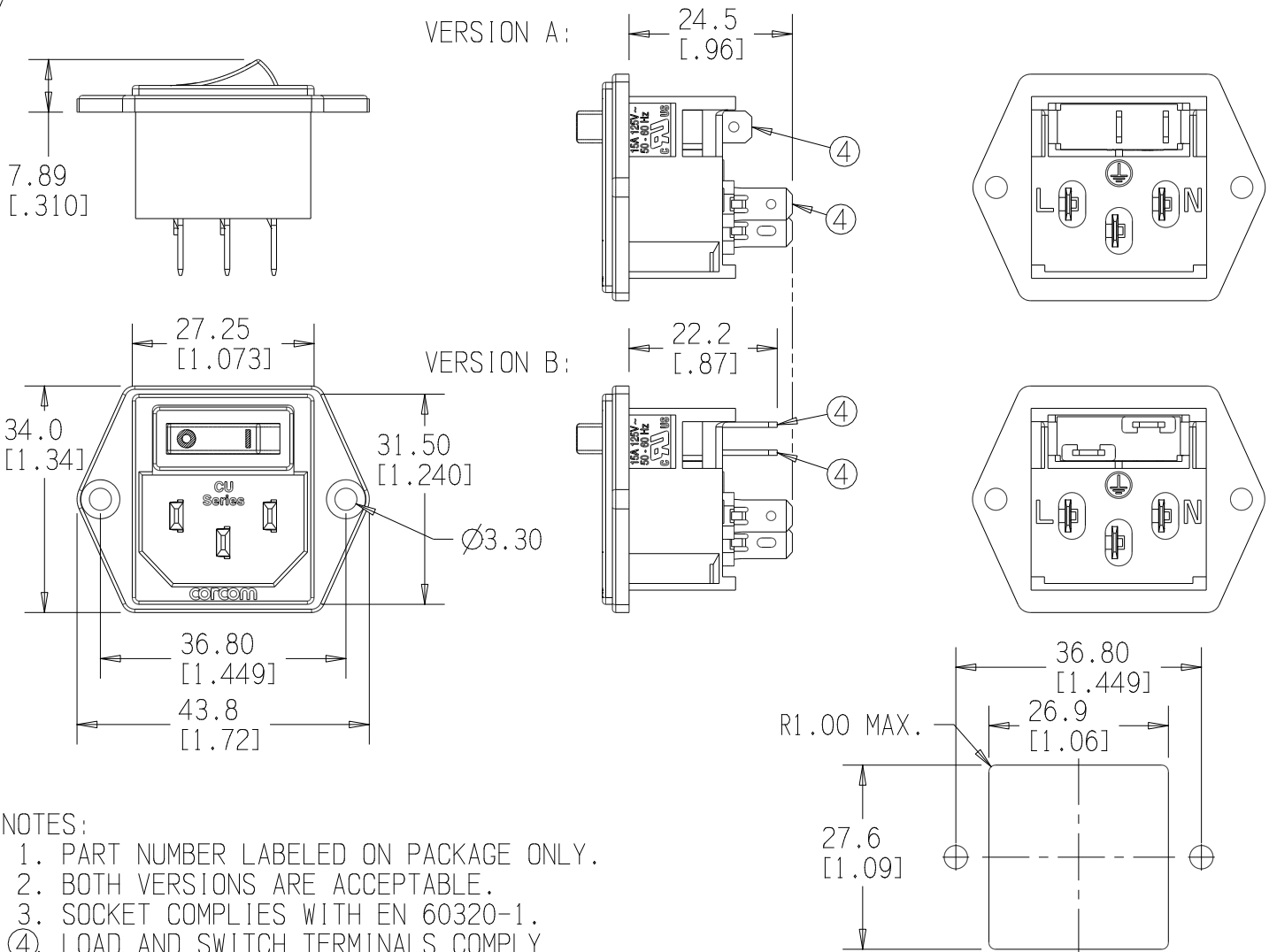
INDUCTANCE: 0.00 mH NOMINAL
CAPACITANCE: (MEASURED @ 1KHz, 0.250VAC MAX., 25°C±1°C)
LINE TO GROUND: 0.0000 μF ±20%
LINE TO LINE: 0.0000 μF ±20%
DISCHARGE RESISTOR: NONE
L/G AND L/L I.R.
NO DISCHARGE RESISTOR: 6000Ω (MIN.) @ 100VDC,
20°C AND 50% RH

RECOMMENDED RECEIVING INSPECTION HIPOT:

LINE TO GROUND: 1500 VAC FOR 1 MINUTE
LINE TO LINE: 1450 VDC FOR 1 MINUTE

FILTER APPROVAL:

THE BEST WAY TO SELECT AND QUALIFY A FILTER IS FOR YOUR ENGINEERING TO TEST THE UNIT IN YOUR EQUIPMENT.



NOTES:

- PART NUMBER LABELED ON PACKAGE ONLY.
- BOTH VERSIONS ARE ACCEPTABLE.
- SOCKET COMPLIES WITH EN 60320-1.
- ④ LOAD AND SWITCH TERMINALS COMPLY WITH DIN 46244, 4.8MM X 0.8MM.

RECOMMENDED PANEL CUTOUT ±0.1 MM

50 Ω - 50 Ω (MINIMUM) INSERTION LOSS

FREQUENCY MHz	/	/	/	/	/	/	/	/	/	/	/
COMMON dB	/	/	/	/	/	/	/	/	/	/	/
DIFF. dB	/	/	/	/	/	/	/	/	/	/	/

PARTS SHALL COMPLY WITH TYCO ELECTRONICS 230-702 SPECIFICATION FOR HAZARDOUS SUBSTANCES
UNLESS OTHERWISE SPECIFIED
TOLERANCE TO BE ±0.5 MM
MATERIAL & FINISH: AS SUPPLIED

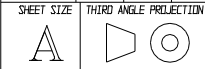
DIMENSIONS ARE:
MILLIMETER
(INCH)



CORCOM PRODUCTS, 620 S. BUTTERFIELD RD., MUNDELEIN IL 60060

POWER LINE FILTER

TYCO ELECTRONICS PART NO. 2-1609114-7



THIS INFORMATION IS CONFIDENTIAL AND PROPRIETARY TO TYCO ELECTRONICS CORPORATION AND ITS WORLDWIDE SUBSIDIARIES AND AFFILIATES. IT MAY NOT BE DISCLOSED TO ANYONE OTHER THAN TYCO ELECTRONICS PERSONNEL, WITHOUT WRITTEN AUTHORIZATION FROM TYCO ELECTRONICS CORPORATION.
HARRISBURG, PENNSYLVANIA USA.

CVM	YES	NO
AVAILABLE	X	

G:\KeyCreator Directories\CD 15CUE100.cld

SCALE:	1:1	DATE:	30DEC08	DRAWING NUMBER:	15CUE1	REV.	0
DRW. BY:	EC	DRTG:	EC				