



Smart Outdoor PTZ Camera with Solar Panel Kit

- Quick Start Guide (EN)
- Verkorte handleiding (NL)
- Kurzanleitung (DE)
- Guía de inicio rápido (ES)
- Guide de démarrage rapide (FR)
- Guida rapida (IT)
- Guia de iniciação rápida (PT)
- Hurtigstartsguide (DK)
- Snabbstartsguide (SE)
- Pikaopas (FI)
- Krótki przewodnik (PL)
- Rychlá příručka (CZ)
- Príručka pre rýchly štart (SK)
- Gyors útmutató (HU)
- Ghid rapid (RO)
- Српски (RS)
- Hitri vodnik (SI)
- Īss ceļvedis (LV)
- Trumpas vadovas (LT)
- Kiirjuhend (EE)
- brzi vodič (HR)

R3569





Take As Global, SL hereby confirms that the R3569 Smart Outdoor PTZ Camera with Solar Panel Kit complies with Directive 2014/53 / EU. The full text of the EU Declaration of Conformity is below internet address available: www.wooxhome.com



Compliance with the WEEE Directive and waste disposal. This product has been manufactured from parts and materials of high quality that can be reused and can be recycled. Therefore, do not throw this product away with waste normal household appliances at the end of their useful life. Take him away at a collection point for recycling equipment electric and electronic. This is indicated by this symbol on the product, in the user manual and on the packaging. Please consult the local authorities to find out where the point of nearest collection. Help protect the environment by recycling used products.



The packaging materials of the product are made in accordance with our national environmental regulations made from recyclable materials made. Packing materials not together with dispose of with household waste or other waste. Bring them to the collection points prescribed by the local authorities for packing material.

Tech support

If you need futher help or have comments or suggestions please visit: www.wooxhome.com or FAQ & Feedback page in the App.

Tech support contact:

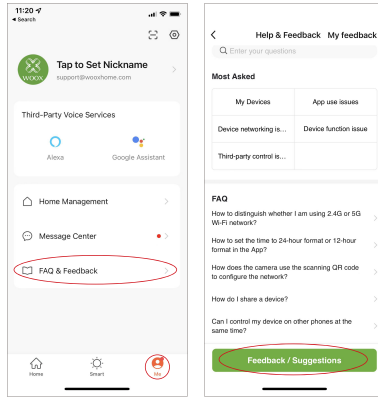
European: support@wooxhome.eu, +31-(0)76-7114805

Non-EU: support@wooxhome.com

How to use FAQ & Feedback in the App:

Step 1: Navigate to "Me" > "FAQ & Feedback".

Step 2: If "Most Asked" and FAQ not help, you could submit your question via "Feedback/Suggestions", we will reply you in 24 hours.



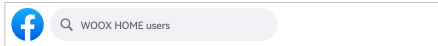
WOOX Home Youtube Channel

You could also find WOOX product videos in Youtube by searching "woox home" or "WOOX + model number".



Facebook group support

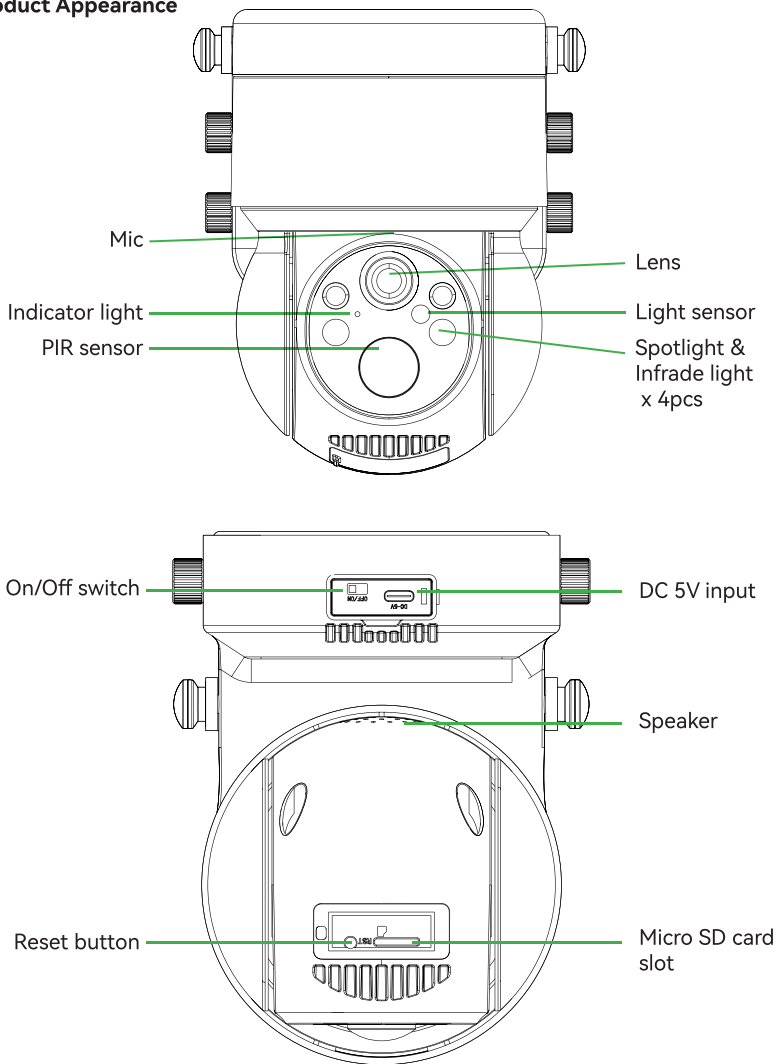
We also create a facebook group for technical support. Searching "WOOX HOME users" to join the group and leave your question.



WOOX Home app QR code



Product Appearance



Package includes

1. Smart outdoor PTZ camera x 1
2. Solar panel x 1
3. USB cable x 1
4. User manual x 1
5. Screw bag x 2(L25mm screw is for camera, L20mm screw is for solar panel)
6. Camera bracket x 1
7. Solar panel bracket x 1
8. Security sticker x 2

Technical Data

Batteries: 2x18650 2600mAh Rechargeable batteries(included)

Battery lifetime: approximate 4 months (without solar panel)

Resolution: 2304x1296P

IR distance: up to 10 meters

Angle of View: 360° rotational and 157° vertical views

Audio input: Built in Mic

Audio output: Built in speaker

Two-way talk: support

Motion detection: support

Micro SD card: Max. 128G (not included)

Network:IEEE 802.11 b/g/n 2.4GHz Wi-Fi

Waterproof: IP65

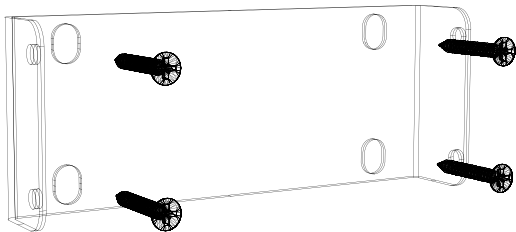
Working temperature: -10 C - 50 C

Working humidity: 20%-85%RH, no condensation

Camera dimension: 143x140x110mm

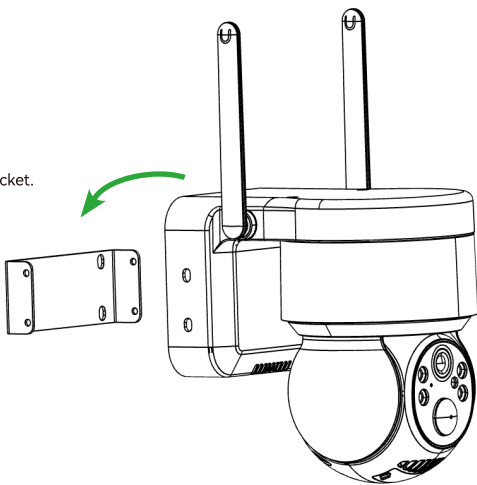
Solar panel power: DC 5V 3W

Installation

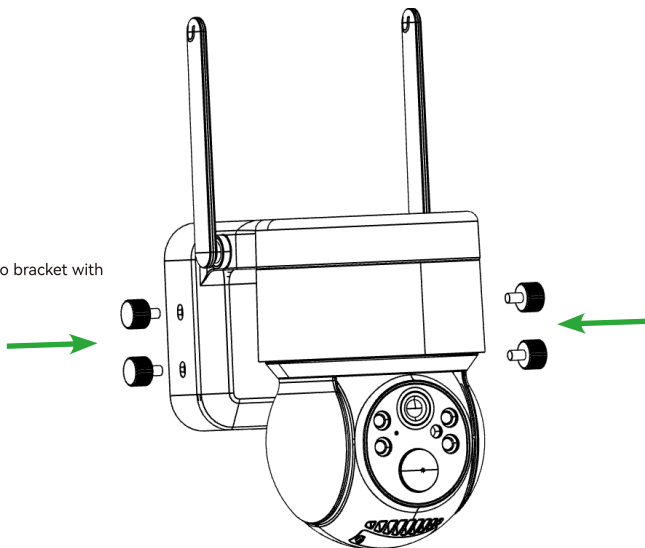


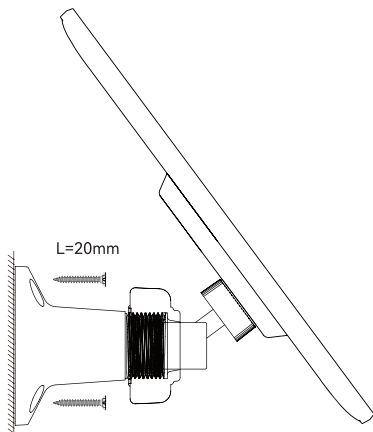
1. Fix bracket to the wall with provided screws (length=24.5mm).

2. Install camera to bracket.



3. Fixed camera to bracket with provided screws.





4. Connect solar panel to camera, and install solar panel where sunshine illuminated and face it to South 45°.

Frequently Asked Questions

- Can I share with family and friends?
Yes, you can share your cameras with family and friends who will have access to view the camera and control your bulbs, plugs, and other devices. In the app, click the Family name at the top and click on the "Home Management" button, and you will be able to give or revoke sharing permissions. In order to share, the other user should already have downloaded the app and registered a new account.
- What's the Wireless Range?
The range of your home Wi-Fi is heavily dependent on your home router and the conditions of the room. Check with your router specifications for exact range data.
- How many cameras can I control?
WOOX Home app can control an unlimited amount of devices in an unlimited amount of locations. Your router may have a limit of how many devices can be connected to one router.
- My device can't be connected to network with App
 - Make sure the device is under the config status (indicator light is flashing quickly).
 - Make sure the Wi-Fi is available and the device is not far away from the router.
 - Make sure the Wi-Fi password you input is correct.
- My device shows offline in my App
 - Make sure the device is powered on.
 - Make sure the network is stable and the Wi-Fi name and password not modified. If not, add device again.
 - If the network is normal, but its still offline. Check if there are too many Wi-Fi connections. You can restart your router to check the status of the device.

English

Introduction

WOOX Smart Outdoor PTZ Camera is a Full HD 2K 3MP security camera with features including pan&tilt&zoom, two-way audio, motion detection, siren, color night vision, local and cloud storage, IP65 waterproof, works with Echo Show and Google Nest Hub, and more.

Requirement to use

1. WOOX Home app
2. WLAN-enabled router: 2.4GHz (Separate band)

Set up Smart Outdoor PTZ Camera to WOOX Home app

1. Download and install the app "WOOX Home" from Apple App Store or Google Play Store on your smartphone.
2. Launch the app "WOOX Home".
3. Create a new account or log in to your existing account.
4. Tap "+" to add the device.
5. Select the applicable product type "Smart Outdoor PTZ Camera" from the list of products.
6. Ensure the indicator light is quick flashing in blue and red. If the indicator light isn't flashing:
hold and press the reset button on the bottom of camera above 10 seconds until the indicator light starts to flash in blue and red.
7. Confirm the Wi-Fi network and password.
Note: only 2.4GHz WiFi is supported.
8. The App will prompt you to scan a QR code that needs to be read by the camera in the smart camera to initiate pairing, press continue on the App and a QR code should now be generated to pair the product to your account. Position your mobile or tablet device in front of the camera lens and ensure the QR code is in full frame of view, once you hear the sound prompt confirm this on the App, this will commence the final stage of pairing the smart camera to your account.
9. The app will now search for the device and register it to your account.
10. Enter the device name.

Note: The device name will also be used by Amazon Alexa and Google Home.

Introductie

WOOX Smart Outdoor PTZ Camera is een Full HD 2K 3MP beveiligingscamera met functies zoals pan&tilt&zoom, tweerichtingsaudio, bewegingsdetectie, sirene, nachtzicht in kleur, lokale en cloudopslag, IP65 waterdicht, werkt met Echo Show en Google Nest Hub, en meer.

Vereiste om te gebruiken

1. WOOX Home-app
2. WLAN-compatibele router: 2,4 GHz (aparte band)

Stel de Smart Outdoor PTZ-camera in op de WOOX Home-app

1. Download en installeer de app "WOOX Home" uit de Apple App Store of Google Play Store op uw smartphone.
2. Start de app "WOOX Home".
3. Maak een nieuw account aan of log in op uw bestaande account.
4. Tik op "+" om het apparaat toe te voegen.
5. Selecteer het toepasselijke producttype "Smart Outdoor PTZ Camera" uit de lijst met producten.
6. Zorg ervoor dat het indicatielampje snel blauw en rood knippert. Als het indicatielampje niet knippert: houd de resetknop aan de onderkant van de camera langer dan 10 seconden ingedrukt totdat het indicatielampje blauw en rood begint te knipperen.
7. Bevestig het Wi-Fi-netwerk en wachtwoord.
- Opmerking: alleen 2,4 GHz WiFi wordt ondersteund.
8. De app vraagt u om een QR-code te scannen die door de camera in de slimme camera moet worden gelezen om het koppelen te starten. Druk op doorgaan in de app en er moet nu een QR-code worden gegenereerd om het product aan uw account te koppelen. Plaats uw mobiel of tablet voor de cameralens en zorg ervoor dat de QR-code volledig zichtbaar is. Zodra u de geluidsmelding hoort, bevestigt u dit in de app. Dit zal de laatste fase van het koppelen van de slimme camera aan uw account ingaan. .
9. De app zoekt nu naar het apparaat en registreert zich bij uw account.
10. Voer de apparaatnaam in.

Opmerking: de apparaatnaam wordt ook gebruikt door Amazon Alexa en Google Home.

Einführung

WOOX Smart Outdoor PTZ Camera ist eine Full HD 2K 3MP Überwachungskamera mit Funktionen wie Schwenken, Neigen und Zoomen, Zwei-Wege-Audio, Bewegungserkennung, Sirene, Farb-Nachtsicht, lokalem und Cloud-Speicher, IP65 wasserdicht, funktioniert mit Echo Show und Google Nest Hub und mehr.

Nutzungsvoraussetzung

1. WOOX Home-App
2. WLAN-fähiger Router: 2,4 GHz (separates Band)

Richten Sie die Smart Outdoor PTZ-Kamera in der WOOX Home-App ein

1. Laden Sie die App „WOOX Home“ aus dem Apple App Store oder Google Play Store herunter und installieren Sie sie auf Ihrem Smartphone.
2. Starten Sie die App „WOOX Home“.
3. Erstellen Sie ein neues Konto oder melden Sie sich bei Ihrem bestehenden Konto an.
4. Tippen Sie auf „+“, um das Gerät hinzuzufügen.
5. Wählen Sie den zutreffenden Produkttyp „Smart Outdoor PTZ Camera“ aus der Produktliste aus.
6. Stellen Sie sicher, dass die Anzeigeleuchte schnell blau und rot blinkt. Wenn die Kontrollleuchte nicht blinkt: Halten Sie die Reset-Taste an der Unterseite der Kamera länger als 10 Sekunden gedrückt, bis die Kontrollleuchte blau und rot zu blinken beginnt.
7. Bestätigen Sie das Wi-Fi-Netzwerk und das Passwort.
Hinweis: Nur 2,4-GHz-WLAN wird unterstützt.
8. Die App fordert Sie auf, einen QR-Code zu scannen, der von der Kamera in der Smart-Kamera gelesen werden muss, um die Kopplung einzuleiten. Drücken Sie in der App auf Weiter, und es sollte nun ein QR-Code generiert werden, um das Produkt mit Ihrem Konto zu koppeln. Positionieren Sie Ihr Mobil- oder Tablet-Gerät vor dem Kameraobjektiv und vergewissern Sie sich, dass der QR-Code im vollen Sichtfeld ist. Sobald Sie die Tonaufforderung hören, bestätigen Sie dies in der App, dies beginnt mit der letzten Phase der Kopplung der Smart-Kamera mit Ihrem Konto .
9. Die App sucht nun nach dem Gerät und registriert sich bei Ihrem Konto.
10. Geben Sie den Gerätenamen ein.

Hinweis: Der Geräte name wird auch von Amazon Alexa und Google Home verwendet

Introducción

La cámara PTZ inteligente para exteriores WOOX es una cámara de seguridad Full HD 2K 3MP con características que incluyen giro, inclinación y zoom, audio bidireccional, detección de movimiento, sirena, visión nocturna en color, almacenamiento local y en la nube, IP65 a prueba de agua, funciona con Echo Show y Google Nest Hub, y más.

Requisito de uso

1. Aplicación para el hogar WOOX
2. Enrutador habilitado para WLAN: 2,4 GHz (banda separada)

Configure la cámara PTZ inteligente para exteriores en la aplicación WOOX Home

1. Descargue e instale la aplicación "WOOX Home" de Apple App Store o Google Play Store en su teléfono inteligente.
2. Inicie la aplicación "WOOX Home".
3. Cree una nueva cuenta o inicie sesión en su cuenta existente.
4. Toque "+" para agregar el dispositivo.
5. Seleccione el tipo de producto aplicable "Cámara PTZ inteligente para exteriores" de la lista de productos.
6. Asegúrese de que la luz indicadora parpadee rápidamente en azul y rojo. Si la luz indicadora no parpadea: mantenga presionado el botón de reinicio en la parte inferior de la cámara durante más de 10 segundos hasta que la luz indicadora comience a parpadear en azul y rojo.
7. Confirme la red Wi-Fi y la contraseña.
Nota: solo se admite Wi-Fi de 2,4 GHz.
8. La aplicación le pedirá que escanee un código QR que debe leer la cámara en la cámara inteligente para iniciar el emparejamiento, presione continuar en la aplicación y ahora se debe generar un código QR para emparejar el producto con su cuenta. Coloque su dispositivo móvil o tableta frente a la lente de la cámara y asegúrese de que el código QR esté a la vista, una vez que escuche el mensaje de sonido, confirme esto en la aplicación, comenzará la etapa final de emparejamiento de la cámara inteligente con su cuenta. .
9. La aplicación ahora buscará el dispositivo y lo registrará en su cuenta.
10. Introduzca el nombre del dispositivo.

Nota: Amazon Alexa y Google Home también utilizarán el nombre del dispositivo

Introduction

La caméra PTZ extérieure intelligente WOOX est une caméra de sécurité Full HD 2K 3MP avec des fonctionnalités telles que panoramique, inclinaison et zoom, audio bidirectionnel, détection de mouvement, sirène, vision nocturne couleur, stockage local et cloud, étanche IP65, fonctionne avec Echo Show et Google Nest Hub, et plus.

Exigence d'utilisation

1. Application WOOX Home
2. Routeur compatible WLAN : 2,4 GHz (bande séparée)

Configurer la caméra PTZ extérieure intelligente sur l'application WOOX Home

1. Téléchargez et installez l'application "WOOX Home" depuis Apple App Store ou Google Play Store sur votre smartphone.
 2. Lancez l'application "WOOX Home".
 3. Créez un nouveau compte ou connectez-vous à votre compte existant.
 4. Appuyez sur "+" pour ajouter l'appareil.
 5. Sélectionnez le type de produit applicable "Caméra PTZ extérieure intelligente" dans la liste des produits.
 6. Assurez-vous que le voyant clignote rapidement en bleu et rouge. Si le voyant ne clignote pas : Appuyez sur le bouton de réinitialisation au bas de l'appareil photo et maintenez-le enfoncé pendant plus de 10 secondes jusqu'à ce que le voyant commence à clignoter en bleu et rouge.
 7. Confirmez le réseau Wi-Fi et le mot de passe.
- Remarque : seul le Wi-Fi 2,4 GHz est pris en charge.
8. L'application vous invitera à scanner un code QR qui doit être lu par la caméra de la caméra intelligente pour lancer l'appairage, appuyez sur Continuer sur l'application et un code QR devrait maintenant être généré pour appairer le produit à votre compte. Positionnez votre appareil mobile ou tablette devant l'objectif de la caméra et assurez-vous que le code QR est en plein écran, une fois que vous entendez l'invite sonore le confirmer sur l'application, cela commencera la dernière étape de jumelage de la caméra intelligente à votre compte .
 9. L'application va maintenant rechercher l'appareil et l'enregistrer sur votre compte.
 10. Saisissez le nom de l'appareil.

Remarque : le nom de l'appareil sera également utilisé par Amazon Alexa et Google Home

introduzione

WOOX Smart Outdoor PTZ Camera è una telecamera di sicurezza Full HD 2K 3MP con funzionalità tra cui pan&tilt&zoom, audio bidirezionale, rilevamento del movimento, sirena, visione notturna a colori, archiviazione locale e su cloud, impermeabilità IP65, funziona con Echo Show e Google Nest Hub e Di più.

Obbligo di utilizzo

1. Applicazione WOOX Home
2. Router abilitato per WLAN: 2,4 GHz (banda separata)

Configura la telecamera PTZ per esterni intelligente sull'app WOOX Home

1. Scarica e installa l'app "WOOX Home" da Apple App Store o Google Play Store sul tuo smartphone.
2. Avvia l'app "WOOX Home".
3. Crea un nuovo account o accedi al tuo account esistente.
4. Toccare "+" per aggiungere il dispositivo.
5. Selezionare il tipo di prodotto applicabile "Smart Outdoor PTZ Camera" dall'elenco dei prodotti.
6. Assicurarsi che la spia dell'indicatore lampeggi rapidamente in blu e rosso. Se la spia non lampeggia: Tenere premuto il pulsante di ripristino nella parte inferiore della fotocamera per più di 10 secondi finché la spia non inizia a lampeggiare in blu e rosso.
7. Confermare la rete Wi-Fi e la password.
Nota: è supportato solo il Wi-Fi a 2,4 GHz.
8. L'app ti chiederà di scansionare un codice QR che deve essere letto dalla fotocamera della smart camera per avviare l'associazione, premi Continua sull'app e ora dovrebbe essere generato un codice QR per associare il prodotto al tuo account. Posiziona il tuo dispositivo mobile o tablet davanti all'obiettivo della fotocamera e assicurati che il codice QR sia in pieno campo visivo, una volta che senti la richiesta sonora confermarlo sull'app, questo inizierà la fase finale dell'associazione della fotocamera intelligente al tuo account .
9. L'app ora cercherà il dispositivo e si registrerà sul tuo account.
10. Immettere il nome del dispositivo.

Nota: il nome del dispositivo verrà utilizzato anche da Amazon Alexa e Google Home

Introdução

A câmera PTZ externa inteligente WOOX é uma câmera de segurança Full HD 2K 3MP com recursos que incluem pan&tilt&zoom, áudio bidirecional, detecção de movimento, sirene, visão noturna colorida, armazenamento local e em nuvem, IP65 à prova d'água, funciona com Echo Show e Google Nest Hub e mais.

Requisito para usar

1. Aplicativo WOOX Home
2. Roteador habilitado para WLAN: 2,4 GHz (banda separada)

Configure a Smart Outdoor PTZ Camera para o aplicativo WOOX Home

1. Baixe e instale o aplicativo "WOOX Home" da Apple App Store ou Google Play Store em seu smartphone.
2. Inicie o aplicativo "WOOX Home".
3. Crie uma nova conta ou faça login em sua conta existente.
4. Toque em "+" para adicionar o dispositivo.
5. Selecione o tipo de produto aplicável "Smart Outdoor PTZ Camera" na lista de produtos.
6. Certifique-se de que a luz indicadora pisque rapidamente em azul e vermelho. Se a luz indicadora não estiver piscando: Pressione e segure o botão de reinicialização na parte inferior da câmera por mais de 10 segundos até que a luz indicadora comece a piscar em azul e vermelho.
7. Confirme a rede Wi-Fi e a senha.

Nota: apenas WiFi de 2,4 GHz é suportado.

8. O aplicativo solicitará que você digitalize um código QR que precisa ser lido pela câmera na câmera inteligente para iniciar o emparelhamento, pressione continuar no aplicativo e um código QR deve ser gerado para emparelhar o produto à sua conta. Posicione seu dispositivo móvel ou tablet na frente da lente da câmera e certifique-se de que o código QR esteja no quadro completo de visão. Depois de ouvir o prompt de som, confirme isso no aplicativo, isso iniciará o estágio final de emparelhamento da câmera inteligente com sua conta .
9. O aplicativo irá agora procurar o dispositivo e registrá-lo em sua conta.
10. Digite o nome do dispositivo.

Observação: o nome do dispositivo também será usado por Amazon Alexa e Google Home

Introduktion

WOOX Smart Outdoor PTZ Camera er et Full HD 2K 3MP sikkerhedskamera med funktioner, herunder pan&tilt&zoom, to-vejs lyd, bevægelsesdetektion, sirene, farve nattesyn, lokal og cloud storage, IP65 vandtæt, fungerer med Echo Show og Google Nest Hub, og mere.

Krav til brug

1. WOOX Home app
2. WLAN-aktiveret router: 2,4 GHz (separat bånd)

Konfigurer Smart Outdoor PTZ-kamera til WOOX Home-appen

1. Download og installer appen "WOOX Home" fra Apple App Store eller Google Play Store på din smartphone.
2. Start appen "WOOX Home".
3. Opret en ny konto, eller log ind på din eksisterende konto.
4. Tryk på "+" for at tilføje enheden.
5. Vælg den relevante produkttype "Smart Outdoor PTZ Camera" fra listen over produkter.
6. Sørg for, at indikatorlyset blinker blå og rødt hurtigt. Hvis indikatorlyset ikke blinker: Tryk og hold nulstillingsknappen i bunden af kameraet nede i mere end 10 sekunder, indtil indikatorlyset begynder at blinke blå og rødt.
7. Bekræft Wi-Fi-netværket og adgangskoden.
Bemærk: kun 2,4 GHz WiFi understøttes.
8. App'en vil bede dig om at scanne en QR-kode, der skal læses af kameraet i smartkameraet for at starte parring, tryk på Fortsæt på App'en, og der skulle nu genereres en QR-kode for at parre produktet til din konto. Placer din mobil- eller tablet-enhed foran kameralinsen og sørg for, at QR-koden er i fuld synsramme, når du hører lydprompten bekræfte dette på appen, vil dette begynde den sidste fase af parringen af smartkameraet til din konto .
9. Appen vil nu søge efter enheden og registreres på din konto.
10. Indtast enhedsnavnet.

Bemærk: Enhedens navn vil også blive brugt af Amazon Alexa og Google Home.

Introduktion

WOOX Smart Outdoor PTZ Camera är en Full HD 2K 3MP säkerhetskamera med funktioner inklusive pan&tilt&zoom, tvåvägs ljud, rörelsedetektering, siren, mörkerseende, lokal och molnlagring, IP65 vattentät, fungerar med Echo Show och Google Nest Hub, och Mer.

Krav att använda

1. WOOX Home-appen
2. WLAN-aktiverad router: 2,4 GHz (separat band)

Konfigurera Smart Outdoor PTZ Camera till WOOX Home-appen

1. Ladda ner och installera appen "WOOX Home" från Apple App Store eller Google Play Store på din smartphone.
2. Starta appen "WOOX Home".
3. Skapa ett nytt konto eller logga in på ditt befintliga konto.
4. Tryck på "+" för att lägga till enheten.
5. Välj tillämplig produkttyp "Smart Outdoor PTZ Camera" från listan över produkter.
6. Se till att indikatorlampan blinkar blått och rött snabbt. Om indikatorlampan inte blinkar: Tryck och håll in återställningsknappen på kamerans undersida i mer än 10 sekunder tills indikatorlampan börjar blinka blått och rött.
7. Bekräfta Wi-Fi-nätverket och lösenordet.

Obs: endast 2,4 GHz WiFi stöds.

8. Appen kommer att uppmana dig att skanna en QR-kod som måste läsas av kameran i den smarta kameran för att initiera ihopparningen, tryck på fortsätt på appen och en QR-kod ska nu genereras för att para ihop produkten med ditt konto. Placera din mobil eller surfplatta framför kameran och se till att QR-koden är i full bildruta, när du hör ljuduppmanningen bekräfta detta i appen, kommer detta att påbörja det sista steget av att para ihop den smarta kameran till ditt konto .
9. Appen kommer nu att söka efter enheten och registreras på ditt konto.
10. Ange enhetens namn.

Obs: Enhetsnamnet kommer också att användas av Amazon Alexa och Google Home

Esittely

WOOX:n älykäs ulko PTZ kamera on Full HD 2K 3MP kamera, jonka ominaisuuksia ovat mm. kaksisuuntainen ääni, liiketunnistus, yönäkö, paikallinen ja pilvitalennus ja IP65-vesitiiviys. Kamera toimii Echo Show- ja Google Nest Hub -sovellusten kanssa.

Käyttöä varten tarvitaan

1. Woon home-sovellus
2. WLAN-reititin: 2.4 GHz

Lisää kamera Woon home -sovellukseen:

1. Lataa ja asenna WOOX Home -sovellus älypuhelimellesi Apple App Storesta tai Google Play Kaupasta.
2. Käynnistä WOOX Home -sovellus.
3. Luo uusi tili tai kirjaudu sisään nykyiselle tilillesi.
4. Napauta "+" lisätäksesi laitteen.
5. Valitse sopiva tuotetyyppi tuoteluettelosta.
6. Varmista, että kameran merkkivalo vilkkuu nopeasti (2 kertaa sekunnissa). Jos merkkivalo ei vilku, pidä nollauspainiketta painettuna niin kauan, että merkkivalo alkaa vilkkua.
7. Vahvista Wi-Fi-verkko ja salasana. Huomaa: vain 2.4 GHz:n Wi-Fi-yhteyttä tuetaan.
8. Sovellus pyytää skannaamaan QR-koodin, joka luetaan kameralla. Paina "Jatka" ja lue QR-koodi: Aseta matkapuhelin tai tabletti kameran linssin eteen ja varmista, että QR-koodi on koko näkymässä. Kun kuulet vahvistusäänen, alkaa viimeinen vaihe kameran ja tilin yhdistämisessä.
9. Sovellus etsii nyt laitetta ja rekisteröi sen tilillesi.
10. Kirjoita laitteen nimi. Huomaa: Laitteen nimeä käyttävät myös Amazon Alexa ja Google Home.

Wstęp

Inteligentna zewnętrzna kamera PTZ WOOX to kamera bezpieczeństwa Full HD 2K 3MP z funkcjami takimi jak obracanie, pochylanie i powiększanie, dwukierunkowy dźwięk, wykrywanie ruchu, syrena, kolorowe noktowizory, przechowywanie lokalne i w chmurze, wodoodporność IP65, współpracuje z Echo Show i Google Nest Hub oraz więcej.

Wymóg użycia

1. Aplikacja WOOX Home
2. Router obsługujący sieć WLAN: 2,4 GHz (oddzielne pasmo)

Skonfiguruj inteligentną zewnętrzną kamerę PTZ do aplikacji WOOX Home

1. Pobierz i zainstaluj aplikację „WOOX Home” ze sklepu Apple App Store lub Google Play Store na swoim smartfonie.
2. Uruchoom aplikację „WOOX Home”.
3. Utwórz nowe konto lub zaloguj się na istniejące konto.
4. Dotknij „+”, aby dodać urządzenie.
5. Wybierz odpowiedni typ produktu „Inteligentna zewnętrzna kamera PTZ” z listy produktów.
6. Upewnij się, że kontrolka szybko miga na niebiesko i czerwono. Jeśli kontrolka nie miga: Naciśnij i przytrzymaj przycisk resetowania na spodzie aparatu przez ponad 10 sekund, aż kontrolka zacznie migać na niebiesko i czerwono.
7. Potwierdź sieć Wi-Fi i hasło.

Uwaga: obsługiwane jest tylko Wi-Fi 2,4 GHz.

8. Aplikacja wyświetli monit o zeskanowanie kodu QR, który musi zostać odczytany przez aparat w inteligentnym aparacie w celu zainicjowania parowania. Naciśnij przycisk Kontynuuj w aplikacji, a kod QR powinien zostać wygenerowany w celu sparowania produktu z kontem. Umieść urządzenie mobilne lub tablet przed obiektywem aparatu i upewnij się, że kod QR jest w pełnym polu widzenia. Gdy usłyszysz monit dźwiękowy potwierdzający to w aplikacji, rozpocznie się ostatni etap parowania inteligentnego aparatu z kontem .
9. Aplikacja wyszuka teraz urządzenie i zarejestruje się na Twoim koncie.
10. Wprowadź nazwę urządzenia.

Uwaga: nazwa urządzenia będzie również używana przez Amazon Alexa i Google Home

Úvod

WOOX Smart Outdoor PTZ Camera je Full HD 2K 3MP bezpečnostní kamera s funkcemi včetně pan&tilt&zoom, obousměrného zvuku, detekce pohybu, sirény, barevného nočního vidění, místního a cloudového úložiště, IP65 vodotěsná, spolupracuje s Echo Show a Google Nest Hub a více.

Požadavek na použití

1. Aplikace WOOX Home
2. Směrovač s podporou WLAN: 2,4 GHz (oddělené pásmo)

Nastavte chytrou venkovní PTZ kameru na aplikaci WOOX Home

1. Stáhněte si a nainstalujte si do smartphonu aplikaci „WOOX Home“ z Apple App Store nebo Google Play Store.
2. Spustěte aplikaci "WOOX Home".
3. Vytvořte si nový účet nebo se přihlaste ke svému stávajícímu účtu.
4. Klepnutím na „+“ přidejte zařízení.
5. Ze seznamu produktů vyberte příslušný typ produktu „Inteligentní venkovní PTZ kamera“.
6. Ujistěte se, že kontrolka rychle bliká modře a červeně. Pokud kontrolka neblinká: Stiskněte a podržte resetovací tlačítko na spodní straně fotoaparátu déle než 10 sekund, dokud kontrolka nezačne modře a červeně blikat.
7. Potvrďte síť Wi-Fi a heslo.

Poznámka: Podporována je pouze 2,4 GHz WiFi.

8. Aplikace vás vyzve k naskenování QR kódu, který musí být načten kamerou v chytrém fotoaparátu pro zahájení párování, stiskněte pokračovat v aplikaci a nyní by měl být vygenerován QR kód pro spárování produktu s vaším účtem. Umístěte svůj mobilní telefon nebo tablet před objektiv fotoaparátu a zajistěte, aby byl QR kód v plném záběru, jakmile uslyšíte zvukovou výzvu, abyste to potvrdili v aplikaci, zahájí se poslední fáze spárování chytré kamery s vaším účtem. .
9. Aplikace nyní vyhledá zařízení a zaregistruje se do vašeho účtu.
10. Zadejte název zařízení.

Poznámka: Název zařízení bude také používat Amazon Alexa a Google Home

Úvod

WOOX Smart Outdoor PTZ Camera je Full HD 2K 3MP bezpečnostná kamera s funkciami vrátane pan&tilt&zoom, obojsmerného zvuku, detekcie pohybu, sirény, farebného nočného videnia, lokálneho a cloudového úložiska, IP65 vodotesná, spolupracuje s Echo Show a Google Nest Hub a viac.

Požiadavka na použitie

1. Aplikácia WOOX Home
2. Smerovač s podporou WLAN: 2,4 GHz (samostatné pásmo)

Nastavte inteligentnú vonkajšiu PTZ kameru na aplikáciu WOOX Home

1. Stiahnite si a nainštalujte aplikáciu „WOOX Home“ z Apple App Store alebo Google Play Store do svojho smartfónu.
 2. Spustíte aplikáciu „WOOX Home“.
 3. Vytvorte si nový účet alebo sa prihláste do svojho existujúceho účtu.
 4. Klepnutím na „+“ pridáte zariadenie.
 5. Zo zoznamu produktov vyberte príslušný typ produktu „Smart Outdoor PTZ Camera“.
 6. Uistite sa, že kontrolka rýchlo bliká modro a červeno. Ak indikátor neblinká: Stlačte a podržte resetovacie tlačidlo na spodnej strane fotoaparátu na viac ako 10 sekúnd, kým indikátor nezačne blikáť modro a červeno.
 7. Potvrďte sieť Wi-Fi a heslo.
- Poznámka: Podporuje sa iba 2,4 GHz WiFi.
8. Aplikácia vás vyzve, aby ste naskenovali QR kód, ktorý je potrebné prečítať kamerou v inteligentnom fotoaparáte, aby sa spustilo párovanie, stlačte pokračovať v aplikácii a teraz by sa mal vygenerovať QR kód na spárovanie produktu s vaším účtom. Umiestnite svoje mobilné alebo tabletové zariadenie pred objektív fotoaparátu a uistite sa, že QR kód je v celom zornom poli, akonáhle budete počuť zvukový výzvu, ktorá to potvrdí v aplikácii, začne sa posledná fáza párovania inteligentného fotoaparátu s vaším účtom. .
 9. Aplikácia teraz vyhledá zariadenie a zaregistruje sa do vášho účtu.
 10. Zadáajte názov zariadenia.

Poznámka: Názov zariadenia bude používať aj Amazon Alexa a Google Home

Bevezetés

A WOOX Smart Outdoor PTZ Camera egy Full HD 2K 3MP biztonsági kamera, amely olyan funkciókkal rendelkezik, mint a pásztázás, billentés és zoom, kétirányú hang, mozgásérzékelés, szíréna, színes éjszakai látás, helyi és felhőalapú tárolás, IP65 vízálló, működik az Echo Show-val és a Google Nest Hubbal, és több.

Használati követelmény

1. WOOX Home alkalmazás
2. WLAN-kompatibilis útválasztó: 2,4 GHz (külön sáv)

Állítsa be a Smart Outdoor PTZ kamerát a WOOX Home alkalmazáshoz

1. Töltse le és telepítse okostelefonjára a „WOOX Home” alkalmazást az Apple App Store vagy a Google Play Store áruházból.
2. Indítsa el a „WOOX Home” alkalmazást.
3. Hozzon létre egy új fiókot, vagy jelentkezzen be meglévő fiókjába.
4. Érintse meg a „+” gombot az eszköz hozzáadásához.
5. Válassza ki a megfelelő terméktípust "Smart Outdoor PTZ Camera" a terméklistából.
6. Győződjön meg arról, hogy a jelzőfény gyorsan villog kéken és pirosan. Ha a jelzőfény nem villog: Nyomja meg és tartsa lenyomva a fényképezőgép alján található reset gombot több mint 10 másodpercig, amíg a jelzőfény kéken és pirosan villogni nem kezd.
7. Erősítse meg a Wi-Fi hálózatot és a jelszót.

Megjegyzés: csak a 2,4 GHz-es WiFi támogatott.

8. Az alkalmazás arra kéri, hogy olvassa be a QR-kódot, amelyet az intelligens kamera kamerájának be kell olvasnia a párosítás megkezdéséhez, nyomja meg a Folytatás gombot az alkalmazáson, és most létre kell hoznia egy QR-kódot a termék és a fiók párosításához. Helyezze mobiltelefonját vagy táblagépet a kamera lenszéje elé, és győződjön meg arról, hogy a QR-kód a teljes látómezőben látható. Amint meghallja a hangjelzést, és megerősíti ezt az alkalmazásban, ezzel megkezdődik az intelligens kamera és a fiók párosításának utolsó szakasza. .
9. Az alkalmazás most megkeresi az eszközt, és regisztrál a fiókjába.
10. Írja be az eszköz nevét.

Megjegyzés: Az eszköznevet az Amazon Alexa és a Google Home is használni fogja

Introducere

WOOX Smart Outdoor PTZ Camera este o cameră de securitate Full HD 2K 3MP cu caracteristici inclusiv pan&tilt&zoom, audio bidirecțional, detectarea mișcării, sirenă, vedere pe timp de noapte color, stocare locală și în cloud, impermeabilă IP65, funcționează cu Echo Show și Google Nest Hub și Mai mult.

Cerință de utilizare

1. Aplicația WOOX Home
2. Router compatibil WLAN: 2,4 GHz (bandă separată)

Configurați Camera PTZ de exterior inteligentă la aplicația WOOX Home

1. Descărcați și instalați aplicația „WOOX Home” din Apple App Store sau Google Play Store pe smartphone-ul dvs.
2. Lansați aplicația „WOOX Home”.
3. Creați un cont nou sau conectați-vă la contul dvs. existent.
4. Atingeți „+” pentru a adăuga dispozitivul.
5. Selectați tipul de produs aplicabil „Cameră PTZ inteligentă pentru exterior” din lista de produse.
6. Asigurați-vă că indicatorul luminos clipește rapid în albastru și roșu. Dacă indicatorul luminos nu clipește: țineți apăsat butonul de resetare din partea de jos a camerei mai mult de 10 secunde până când indicatorul luminos începe să clipească în albastru și roșu.
7. Confirmați rețeaua Wi-Fi și parola.

Notă: este acceptat numai WiFi de 2,4 GHz.

8. Aplicația vă va solicita să scanați un cod QR care trebuie să fie citit de camera în camera inteligentă pentru a iniția asocierea, apăsați Continuați pe aplicație și acum ar trebui să fie generat un cod QR pentru a asocia produsul la contul dvs. Poziționați dispozitivul mobil sau tabletă în fața obiectivului camerei și asigurați-vă că codul QR este în cadru complet de vizualizare, odată ce auziți mesajul sonor care confirmă acest lucru în aplicație, aceasta va începe etapa finală de asociere a camerei inteligente la contul dvs. .
9. Aplicația va căuta acum dispozitivul și se va înregistra în contul dvs.
10. Introduceți numele dispozitivului.

Notă: Numele dispozitivului va fi folosit și de Amazon Alexa și Google Home

Увод

ВООКС Смарт Оутдоор ПТЗ камера је Фулл ХД 2К 3МП сигурносна камера са функцијама укључујући померање и нагиб и зумирање, двосмерни звук, детекцију покрета, сирену, ноћни вид у боји, локално складиштење и складиштење у облаку, ИП65 водоотпорна, ради са Ецхo Схов-ом и Гоогле Нест Хуб-ом и више.

Захтев за коришћење

1. Апликација ВООКС Хоме
2. Рутер са ВЛАН-ом: 2,4 ГХз (одвојени опсег)

Подесите Смарт Оутдоор ПТЗ камеру на ВООКС Хоме апликацију

1. Преузмите и инсталирајте апликацију „ВООКС Хоме“ из Аппле Апп Сторе-а или Гоогле Плаи Сторе-а на свом паметном телефону.
2. Покрените апликацију „ВООКС Хоме“.
3. Креирајте нови налог или се пријавите на свој постојећи налог.
4. Додирните „+“ да додате уређај.
5. Изаберите одговарајући тип производа „Смарт Оутдоор ПТЗ Цамера“ са листе производа.
6. Уверите се да индикаторска лампица брзо трепери плаво и црвено. Ако индикаторска лампица не трепери: Притисните и држите дугме за ресетовање на дну камере дуже од 10 секунди док индикаторска лампица не почне да трепери плаво и црвено.
7. Потврдите Ви-Фи мрежу и лозинку.
Напомена: подржан је само ВиФи на 2,4 ГХз.
8. Апликација ће од вас затражити да скенирате КР код који треба да прочита камера у паметној камери да бисте започели упаривање, притисните Настави на апликацији и сада би требало да се генерише КР код за упаривање производа са вашим налогом. Поставите свој мобилни или таблет уређај испред сочива камере и уверите се да је КР код у пуном кадру, када чујете звучни одзив који то потврђује у апликацији, ово ће започети последњу фазу упаривања паметне камере са вашим налогом .
9. Апликација ће сада тражити уређај и регистровати се на ваш налог.
10. Унесите назив уређаја.

Напомена: Назив уређаја ће такође користити Амазон Алека и Гоогле Хоме

Uvod

WOOX Smart Outdoor PTZ Camera je varnostna kamera Full HD 2K 3MP s funkcijami, vključno s pan&tilt&zoomom, dvosmernim zvokom, zaznavanjem gibanja, sireno, barvnim nočnim vidom, lokalnim shranjevanjem in shranjevanjem v oblaku, IP65 vodotesno, deluje z Echo Show in Google Nest Hub ter več.

Zahteva za uporabo

1. Aplikacija WOOX Home
2. Usmerjevalnik, ki podpira WLAN: 2,4 GHz (ločen pas)

Nastavite pametno zunanjo PTZ kamero v aplikacijo WOOX Home

1. Prenesite in namestite aplikacijo "WOOX Home" iz Apple App Store ali Google Play Store na vaš pametni telefon.
2. Zaženite aplikacijo "WOOX Home".
3. Ustvarite nov račun ali se prijavite v obstoječi račun.
4. Tapnite »+«, da dodate napravo.
5. Na seznamu izdelkov izberite ustrezno vrsto izdelka "Pametna zunanja kamera PTZ".
6. Preverite, ali indikatorska lučka hitro utripa modro in rdeče. Če indikatorska lučka ne utripa: Pritisnite in držite gumb za ponastavitev na dnu fotoaparata več kot 10 sekund, dokler indikatorska lučka ne začne utripati modro in rdeče.
7. Potrdite omrežje Wi-Fi in geslo.

Opomba: podprt je samo 2,4 GHz WiFi.

8. Aplikacija vas bo pozvala, da optično preberete kodo QR, ki jo mora prebrati kamera v pametni kameri, da začne seznanjanje, pritisnite Nadalj v aplikaciji in zdaj bi morala biti ustvarjena koda QR za seznanitev izdelka z vašim računom. Postavite svojo mobilno ali tablično napravo pred objektiv kamere in zagotovite, da je koda QR v celotnem kadru. Ko zaslišite zvočni poziv, potrdite to v aplikaciji, se bo začela zadnja faza seznanjanja pametne kamere z vašim računom .
9. Aplikacija bo zdaj poiskala napravo in se registrirala v vaš račun.
10. Vnesite ime naprave.

Opomba: Ime naprave bosta uporabljala tudi Amazon Alexa in Google Home

levads

WOOX Smart Outdoor PTZ Camera ir Full HD 2K 3MP drošības kamera ar tādām funkcijām kā panoramēšana, slīpums un tālummaiņa, divvirzienu audio, kustības noteikšana, sirēna, krāsu nakts redzamība, lokālā un mākoņa krātuve, IP65 ūdensizturīgs, darbojas ar Echo Show un Google Nest Hub, un vairāk.

Prasība lietošanai

1. WOOX Home lietotne
2. Ar WLAN iespējots maršrutētājs: 2,4 GHz (atsevišķa josla)

Iestatiet Smart Outdoor PTZ kameru lietotnē WOOX Home

1. Lejupielādējiet un savā viedtālrunī instalējiet lietotni "WOOX Home" no Apple App Store vai Google Play Store.
2. Palaidiet lietotni "WOOX Home".
3. Izveidojiet jaunu kontu vai piesakieties esošajā kontā.
4. Pieskarieties "+", lai pievienotu ierīci.
5. Produktu sarakstā atlasiet atbilstošo produkta veidu "Smart Outdoor PTZ Camera".
6. Pārliecinieties, vai indikators ātri mirgo zilā un sarkanā krāsā. Ja indikators nemirgo: nospiediet un turiet atiestatīšanas pogu kameras apakšā ilgāk par 10 sekundēm, līdz indikators sāk mirgot zilā un sarkanā krāsā.
7. Apstipriniet Wi-Fi tīklu un paroli.

Piezīme: tiek atbalstīts tikai 2,4 GHz WiFi.

8. Lietotne liks jums skenēt QR kodu, kas jānolasa viedās kameras kameras, lai sāktu savienošanu pārī, lietotnē nospiediet Turpināt, un tagad ir jāģenerē QR kods, lai produktu savienotu pārī ar jūsu kontu. Novietojiet savu mobilo ierīci vai planšētdatoru kameras objektīva priekšā un pārliecinieties, ka QR kods ir redzams pilnā kadrā. Tiklīdz lietotnē dzirdēsiet skaņas uzvedni, kas to apstiprinās, tiks sākta viedās kameras savienošanas pārī ar jūsu kontu pēdējais posms. .
9. Lietotne tagad meklēs ierīci un reģistrēsies jūsu kontā.
10. Ievadiet ierīces nosaukumu.

Piezīme. Ierīces nosaukumu izmantos arī Amazon Alexa un Google Home

Įvadas

„WOOX Smart Outdoor PTZ Camera“ yra „Full HD“ 2K 3 MP apsaugos kamera, turinti tokias funkcijas kaip panoraminis, pakreiptas ir priartinimas, dvipusis garsas, judesio aptikimas, sirena, spalvotas naktinis matymas, vietinė ir debesų saugykla, IP65 atspari vandeniui, veikia su „Echo Show“ ir „Google Nest Hub“ ir daugiau.

Reikalavimas naudoti

1. WOOX Home programėlė
2. WLAN maršrutizatorius: 2,4 GHz (atskira juosta)

Nustatykite „Smart Outdoor PTZ Camera“ programoje WOOX Home

1. Atsisiųskite ir į savo išmanųjį telefoną įdiekite programėlę „WOOX Home“ iš Apple App Store arba Google Play Store.
2. Paleiskite programėlę „WOOX Home“.
3. Sukurkite naują paskyrą arba prisijunkite prie esamos paskyros.
4. Norėdami pridėti įrenginį, bakstelėkite „+“.
5. Produktų sąrašė pasirinkite tinkamą gaminio tipą „Išmanioji lauko PTZ kamera“.
6. Įsitikinkite, kad indikatorius lemputė greitai mirksi mėlynai ir raudonai. Jei indikatorius lemputė nemirksi: paspauskite ir palaikykite fotoaparato apačioje esantį atstatymo mygtuką ilgiau nei 10 sekundžių, kol indikatorius lemputė pradės mirksėti mėlynai ir raudonai.
7. Patvirtinkite Wi-Fi tinklą ir slaptažodį.
Pastaba: palaikomas tik 2,4 GHz WiFi.
8. Programėlė paragins jus nuskaityti QR kodą, kurį turi nuskaityti išmaniosios kameros kamera, kad būtų pradėtas susiejimas, programėlėje paspauskite Tęsti ir dabar turėtų būti sugeneruotas QR kodas, kad produktas būtų susietas su paskyra. Padėkite savo mobilųjį telefoną ar planšetinį kompiuterį prieš fotoaparato objektyvą ir įsitikinkite, kad QR kodas matomas visame kadre. Kai programėlėje išgirsite raginimą tai patvirtinti, prasidės paskutinis išmaniosios kameros susiejimo su jūsų paskyra etapas.
9. Dabar programa ieškos įrenginio ir užsiregistruos jūsų paskyroje.
10. Įveskite įrenginio pavadinimą.

Pastaba: įrenginio pavadinimą taip pat naudos „Amazon Alexa“ ir „Google Home“.

Sissejuhatus

WOOX Smart Outdoor PTZ Camera on Full HD 2K 3MP turvakaamera, millel on sellised funktsioonid nagu panoraam, kallutamine ja suum, kaheasuunaline heli, liikumistuvastus, sireen, värviline öönägemine, kohalik ja pilvesalvestus, IP65 veekindel, töötab koos Echo Show ja Google Nest Hubiga ning rohkem.

Nõue kasutada

1. WOOX Home rakendus
2. WLAN-i toega ruuter: 2,4 GHz (eraldi sagedusala)

Seadistage Smart Outdoor PTZ-kaamera rakenduses WOOX Home

1. Laadige alla ja installige oma nutitelefoni Apple App Store'ist või Google Play Store'ist rakendus "WOOX Home".
 2. Käivitage rakendus "WOOX Home".
 3. Looge uus konto või logige sisse oma olemasolevale kontole.
 4. Seadme lisamiseks puudutage "+".
 5. Valige toodete loendist sobiv tootetüüp "Smart Outdoor PTZ Camera".
 6. Veenduge, et märgutuli vilguks kiiresti siniselt ja punaselt. Kui märgutuli ei vilgu: vajutage ja hoidke kaamera allosas olevat lähtestamisnuppu all rohkem kui 10 sekundit, kuni märgutuli hakkab sinise ja punasena vilkuma.
 7. Kinnitage Wi-Fi võrk ja parool.
- Märkus. Toetatud on ainult 2,4 GHz WiFi.
8. Rakendus palub teil skannida QR-koodi, mida nutikaamera kaamera peab sidumise alustamiseks lugema, vajutage rakendusel Jätka ja nüüd tuleks genereerida QR-kood toote sidumiseks teie kontoga. Paigutage oma mobiilne või tahvelarvuti kaamera objektiivi ette ja veenduge, et QR-kood oleks täiskaadris. Kui kuulete rakenduses seda kinnitavat heliviipa, algab nutikaamera teie kontoga sidumise viimane etapp. .
 9. Rakendus otsib nüüd seadet ja registreerub teie kontole.
 10. Sisestage seadme nimi.

Märkus. Seadme nime kasutavad ka Amazon Alexa ja Google Home

Uvod

WOOX Smart Outdoor PTZ kamera je Full HD 2K 3MP sigurnosna kamera sa značajkama uključujući pan&tilt&zoom, dvosmjerni zvuk, detekciju pokreta, sirenu, noćni vid u boji, lokalnu pohranu i pohranu u oblaku, IP65 vodootporan, radi s Echo Show i Google Nest Hub, i više.

Zahtjev za korištenje

1. Aplikacija WOOX Home
2. Usmjerivač s omogućenim WLAN-om: 2,4 GHz (odvojeni pojas)

Postavite pametnu vanjsku PTZ kameru u aplikaciju WOOX Home

1. Preuzmite i instalirajte aplikaciju "WOOX Home" iz Apple App Store ili Google Play Store na svoj pametni telefon.
 2. Pokrenite aplikaciju "WOOX Home".
 3. Napravite novi račun ili se prijavite na postojeći račun.
 4. Dodirnite "+" za dodavanje uređaja.
 5. Odaberite odgovarajuću vrstu proizvoda "Pametna vanjska PTZ kamera" s popisa proizvoda.
 6. Uvjerite se da indikatorsko svjetlo brzo treperi plavo i crveno. Ako indikatorska lampica ne treperi: Pritisnite i držite tipku za resetiranje na dnu fotoaparata dulje od 10 sekundi dok indikatorska lampica ne počne treperiti plavo i crveno.
 7. Potvrdite Wi-Fi mrežu i lozinku.
- Napomena: podržan je samo WiFi od 2,4 GHz.
8. Aplikacija će od vas zatražiti da skenirate QR kod koji treba očitati kamera u pametnoj kameri za pokretanje uparivanja, pritisnite nastavak u aplikaciji i sada bi trebao biti generiran QR kod za uparivanje proizvoda s vašim računom. Postavite svoj mobilni ili tablet uređaj ispred objektivna kamere i osigurajte da QR kod bude u punom kadru prikaza, nakon što čujete zvučni upit potvrdite to u aplikaciji, ovo će započeti posljednju fazu uparivanja pametne kamere s vašim računom .
 9. Aplikacija će sada tražiti uređaj i registrirati se na vaš račun.
 10. Unesite naziv uređaja.

Napomena: naziv uređaja također će koristiti Amazon Alexa i Google Home