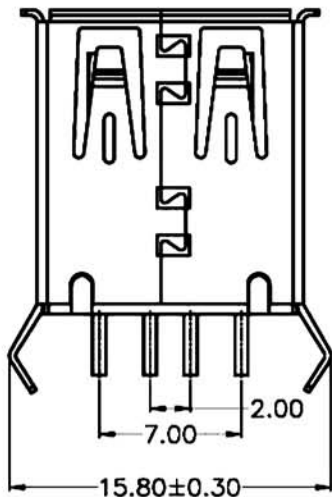
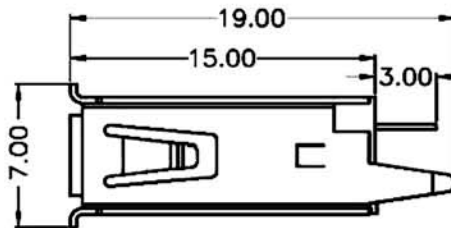
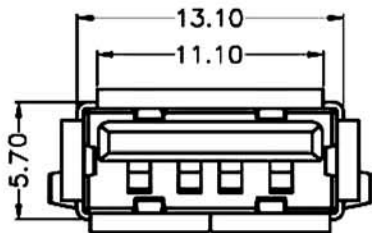
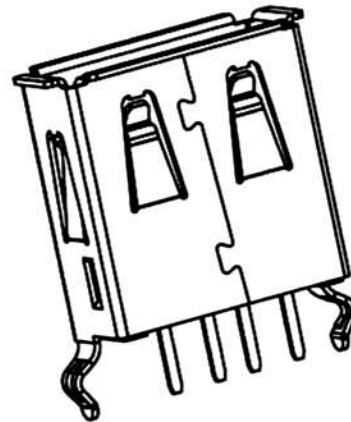


RECOMMENDED P. C. B. PATTERN LAYOUT

Tolerance: +/-0.05mm



NOTE:

1.MATERIAL:

- 1.1 Insulator: P.B.T UL 94V-0 rated.
- 1.2 Contact: Copper alloy THK: 0.25mm
- 1.3 Shell: Copper alloy THK: 0.30mm

2.ELECTRICAL CHARACTERISTICS

- 2.1 Current rating: 1.5A Max
- 2.2 Dielectric withstanding voltage: 500v(Ac)
- 2.3 Contact resistance: 30 mΩ Max
- 2.4 Insulation resistance: 1000 MΩ Min

3.MECHANICAL CHARACTERISTICS

- 3.1 Mating force: 3.5 kgf Max
- 3.2 Unmating force: 1.0 kgf Min

4.ENVIRONMENTAL

- 4.1 Temperature range: -40°C~+60°C

Ordering Information

TUEA4F1DXB

Contact Plating

- 0 = G/F
- 2 = 15u" gold
- 3 = 30u" gold

No.	Part Name	Q'ty	Material	Thickness	Finish
3	SHELL	1	Brass	T=0.30±0.01mm	Nickel plated
2	CONTAC	4	Brass	T=0.25±0.01mm	Gold plated
1	HOUSING	2	PBT		black



TOLERANCE (mm)	APPROVALS	DATE	TITLE	AMPHENOL Amphenol European Design Center	
X. ±0.30	Stephane	10/Nov/2014	USB A Female Vertical Dip	Scale N.A.	Sheet 1 of 1
XX ±0.20	Rob	10/Nov/2014			
XXX ±0.15	Rob	10/Nov/2014			
UNLESS OTHERWISE SPECIFIED	UNIT: mm	SIZE: DRAWING N°	TUEA4F1DXB	REV: C	