

# W54-XB1A4A10-6 ✓ ACTIVE

## Potter & Brumfield W54

TE Internal #: 1423674-3

Thermal Circuit Breaker, Series Trip, White Actuator, 250 VAC, 50 VDC, 6 A, 1 Pole, 5 – 30 seconds Trip Time at 200%, Potter & Brumfield W54

[View on TE.com >](#)



Relays & Contactors > Circuit Breakers



Circuit Breaker Type: **Thermal**

Circuit Function: **Series Trip**

Illuminated: **Without**

Actuator Color: **White**

Operating Voltage: **250 VAC**

### Features

#### Termination Features

Terminal Configuration	6.35 [.25] Straight Quick Connect Tab
------------------------	---------------------------------------

#### Identification Marking

Stamped Marking Type	Red Rate Marking
----------------------	------------------

#### Mechanical Attachment

Mounting Options	Knurled Nut/Hex Nut
Mounting Hardware Packaging	Assembled to Bushing
Mounting Bushing	9.8 x 12.6mm Long, Metal

#### Configuration Features

Panel Cutout Size	11.2 x 10.01 mm [.441 x .394 in]
Circuit Function	Series Trip
Number of Poles	1

#### Product Type Features

Illumination Type	No Light
Actuator Type	Push to Reset
Circuit Breaker Type	Thermal
Illuminated	Without

#### Body Features

Actuator Color	White
----------------	-------



### Electrical Characteristics

Operating Voltage	50 VDC
Current Rating	6 A
Interrupt Capacity	1000A @ 250VAC/50VDC

### Contact Features

Trip Time at 200%	5 – 30 seconds
-------------------	----------------

### Other

EU RoHS Compliance	Compliant with Exemptions
EU ELV Compliance	Not Compliant

### Product Compliance

[For compliance documentation, visit the product page on TE.com>](#)

EU RoHS Directive 2011/65/EU	Compliant with Exemptions
EU ELV Directive 2000/53/EC	Not Compliant
China RoHS 2 Directive MIIT Order No 32, 2016	Restricted Materials Above Threshold
EU REACH Regulation (EC) No. 1907/2006	Current ECHA Candidate List: JUNE 2024 (241) Candidate List Declared Against: JUNE 2024 (241) SVHC > Threshold: Cd (1.55% in Component Part) <b>Article Safe Usage Statements:</b> Use personal protective equipment as required. Do not eat, drink or smoke when using this product. Recycle if possible and dispose of the article by following all applicable governmental regulations relevant to your geographic location.
Halogen Content	Low Halogen - Br, Cl, F, I < 900 ppm per homogenous material. Also BFR/CFR/PVC Free
Solder Process Capability	Not applicable for solder process capability

#### Product Compliance Disclaimer

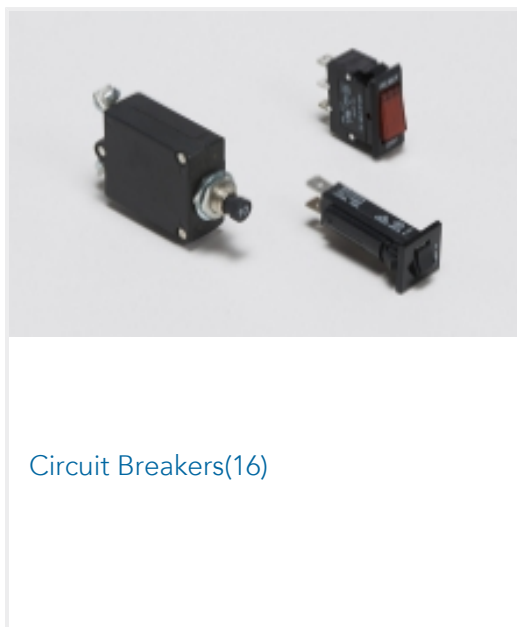
This information is provided based on reasonable inquiry of our suppliers and represents our current actual knowledge based on the information they provided. This information is subject to change. The part numbers that TE has identified as EU RoHS compliant have a maximum concentration of 0.1% by weight in homogenous materials for lead, hexavalent chromium, mercury, PBB, PBDE, DBP, BBP, DEHP, DIBP, and 0.01% for cadmium, or qualify for an exemption to these limits as defined in the Annexes of Directive 2011/65/EU (RoHS2). Finished electrical and electronic equipment products will be CE marked as required by Directive 2011/65/EU. Components may not be CE marked. Additionally, the part numbers that TE has identified as EU ELV compliant have a maximum concentration of 0.1% by weight in homogenous materials for lead, hexavalent chromium, and mercury, and 0.01% for cadmium, or qualify for an exemption to these limits as defined in the Annexes of Directive 2000/53/EC (ELV). Regarding the REACH Regulation, the information TE provides on SVHC in articles for this part number is based on the latest European Chemicals Agency (ECHA) 'Guidance on requirements for substances in articles' posted at this URL: <https://echa.europa.eu/guidance-documents/guidance-on-reach>

## Compatible Parts



TE Part # 1-1423696-6  
BOOTSEAL, M11, CLEAR, SILICONE

## Also in the Series | Potter & Brumfield W54

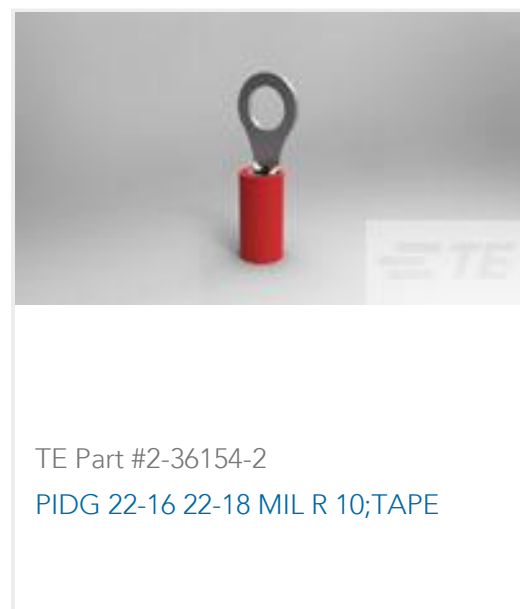


Circuit Breakers(16)

## Customers Also Bought



TE Part #5-2176430-4  
MPT35 68R 1%



TE Part #2-36154-2  
PIDG 22-16 22-18 MIL R 10;TAPE



TE Part #3-521142-2  
ULTRA-FAST 250 ASY TAB 16-14 AWG  
TPBR



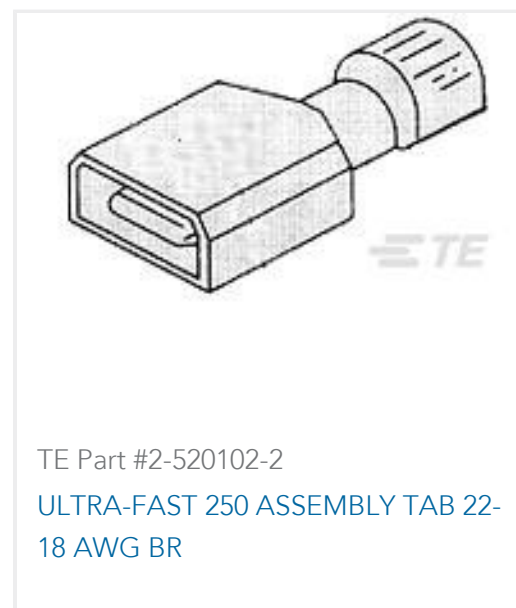
TE Part #61795-1  
RING 18-14 AWG TPST



TE Part #2-34161-1  
TERMINAL, PG R 16-14 10



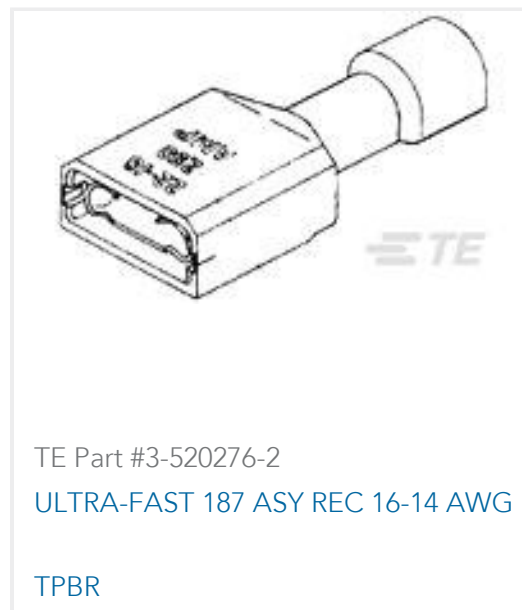
TE Part #2003101-F  
HDIM500GUY8P5; PRES; 0..  
500MBARD; SMD; 5V



TE Part #2-520102-2  
ULTRA-FAST 250 ASSEMBLY TAB 22-  
18 AWG BR



TE Part #350706-1  
UMNL SPLIT PIN 24-18 PTPBR L/P



## Documents

### CAD Files

[3D PDF](#)

3D

Customer View Model

[ENG\\_CVM\\_CVM\\_1423674-3\\_C.2d\\_dxf.zip](#)

English

Customer View Model

[ENG\\_CVM\\_CVM\\_1423674-3\\_C.3d\\_igs.zip](#)

English

Customer View Model

[ENG\\_CVM\\_CVM\\_1423674-3\\_C.3d\\_stp.zip](#)

English

By downloading the CAD file I accept and agree to the [Terms and Conditions](#) of use.

### Datasheets & Catalog Pages

[W54 Push To Reset Only Thermal Circuit Breaker](#)

English

### Agency Approvals

[CCC Certificate](#)

English