

## Digital TFT COLOR SCREEN WIRELESS MONITOR

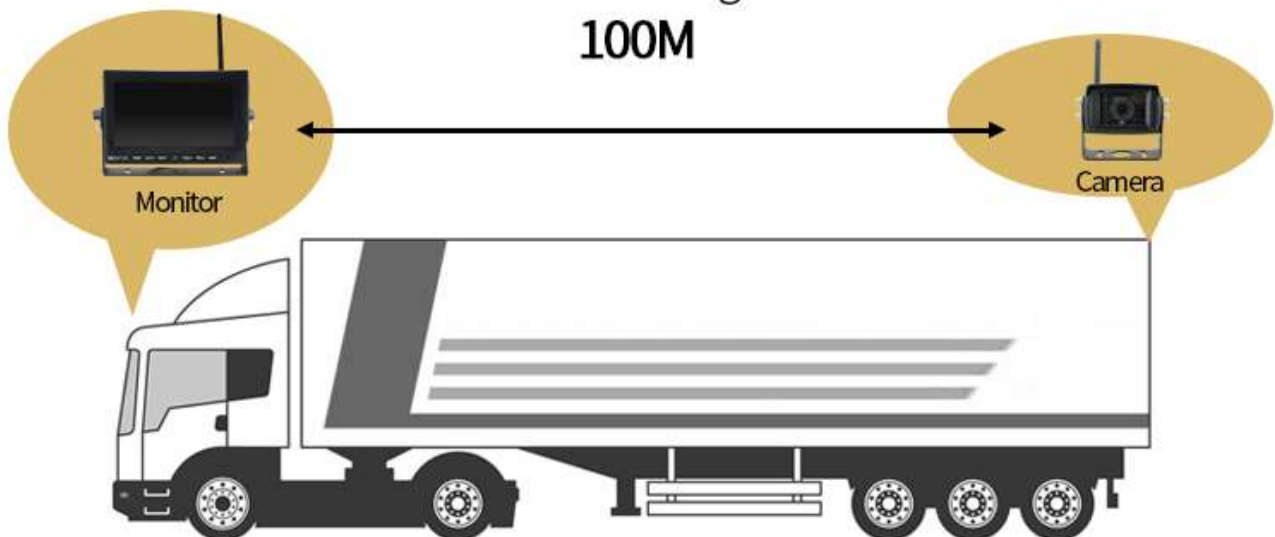
Our 7" TFT LCD Color Monitor comes with a Digital Display and a pixel resolution of 800 X 480. It comes with a removable sunshade and distance grid lines for backing up reference. With one camera wireless connected, the monitor can display a full screen view. It has built-in speakers backlight and big buttons.

### 2.4G Digital Wireless Monitor and Camera

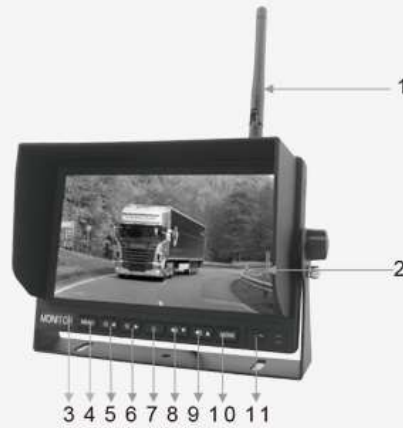


Wireless transmitting distance

**100M**



- Monitor panel introduction

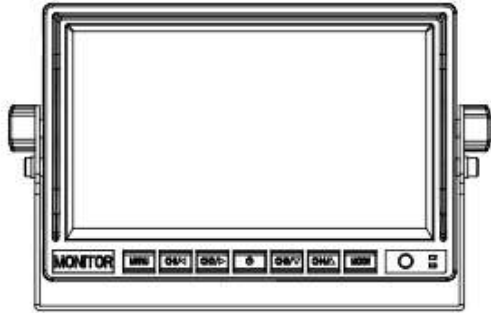


- 1.2.4G antenna
- 2.Display screen
- 3.Metal LOGO plate
- 4.MENU: open or exit the menu
- 5.Brightness decrease: decrease the screen brightness value
- 6.Brightness increase: increase the screen brightness value
- 7.Power: Under power off state, press shortly to start up, press and hold to power off; under power on state, press shortly to close the display screen, press and hold to power off
- 8.Volume decrease: decrease the volume
- 9.Volume increase: increase the volume
- 10.MODE: up, down, left, right rotation
- 11.Remote control window

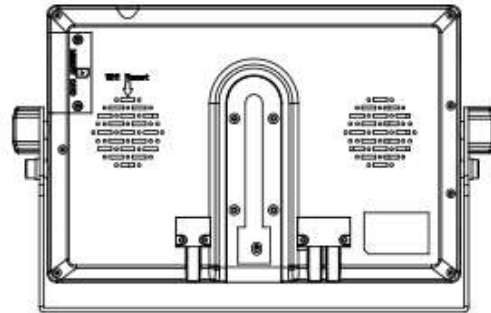
- Size



- Engineering drawing



front view



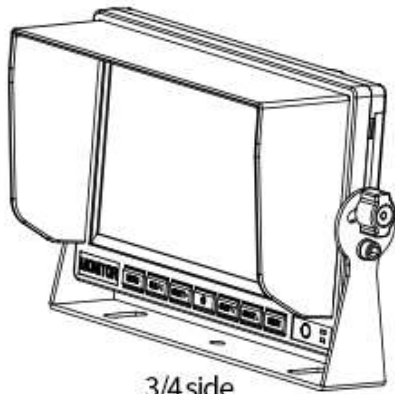
rear view



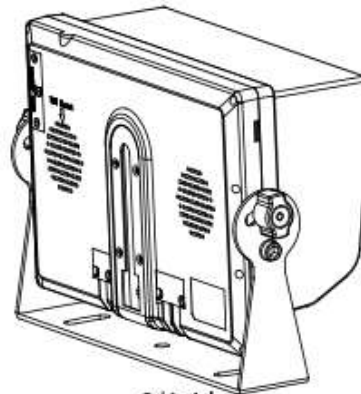
top view



side view



3/4 side



3/4 side

## Wireless camera for optional



### • Camera introduction



1.2.4G antenna

2.U shaped bracket and sun shade

3.Power cable: DC 12-24V input

4.Pairing button



1.2.4G antenna

2.U shaped bracket and sun shade

3.Power cable: DC 12-24V input

4.Pairing button

- Accessories



## WirelessMonitor

Monitor Specification
Panel: 7" digital panel
Screen ratio: 16:9
Resolution: 800*R.G.B*480
Back Light Luminance: LED, 300cd/m <sup>2</sup>
Contrast : 1000 : 1
Viewing Angle: UP—50°DOWN—70°LEFT—70°RIGHT—70°
System: PAL/NTSC automatically
OSD control Brightness, contrast, color, volume, mode, TCON
Anti-knock level: 4G
2.4G wireless transmitting distance: 100M
Power supply: 12-24V DC
AV input: 1 way 2.4G wireless video signal input
Trigger: 4 triggers

## Wireless Camera

Wireless Camera Specification
Image sensor: Sharp 1/4 CCD
Resolution: 420 TV line
Mini illumination: 0.5 Lux, infrared night vision
Image View angle: 120°
System: PAL& NTSC
2.4G wireless transmitter: The distance can reach 100M in the open area, Frequency point optional
Power supply: 12V-24V
Waterproof level: IP 67/68
Appearance: Aluminum alloy shell, outside hanging design. Fit for Bus and truck and some special vehicles
Waterproof, shockproof, infrared night vision, Resistance to high temperature and humidity
Accessories: 0.6m power cable
Other features