

Constant Current LED Power Supply Phasecut Dimmable



Product description:

This type of power supply is an exclusively designed stabilized power supply for LED lamp. With constant current (CC) technology, it is suitable for constant current lamps (350/500/700mA) connected in a series. The output current of the converter could be dimmed between 10%-100% by trailing or leading edge dimmers. The built-in protection circuit will shut down the converter in case of such faults as: open circuit, short circuit, over load, over temperature. The power supply will restart automatically after fault correction.



Standards:

EN61347-1
EN61347-2-13
EN61547
EN55015
EN61000-3-2
EN61000-3-3
EN62384
EN62493

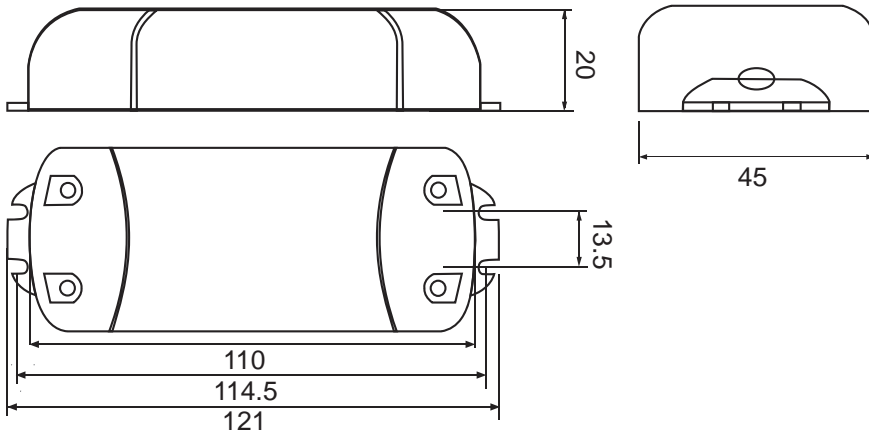
Characteristics:

- Independent dimmable power supply for constant current LED lamp
- Terminal block quick connection
- Class II protection against electric shock from direct and indirect contact
- The output current of the power supply could be dimmed between 10%-100% by trailing edge or leading edge dimmers
- Ripple free constant output current
- High compatible for different dimmers
- Quiet design, working noise is less than 30dB
- Open circuit, short circuit, over load and over temperature protection
- Auto restart after fault conditions removal Low output current ripple design
- Efficiency: 82% (AC230V, full load)
- 5 years warranty

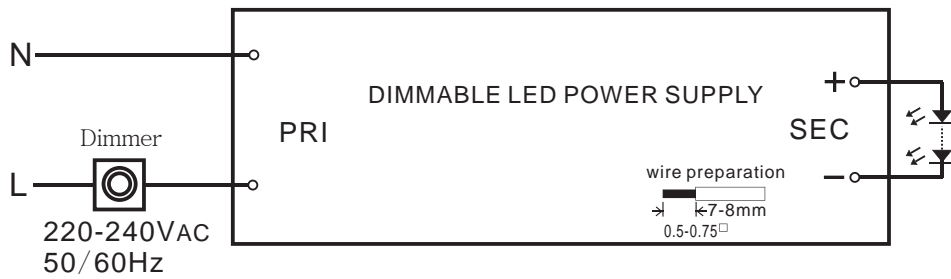
Specifications :

Model	SLD20-350IL-Es	SLD20-500IL-Es	SLD20-700IL-Es	
Output	turn on time(S)	≤0.5	≤0.5	≤0.5
	output current(mA)	350	500	700
	output current tolerance ^①	+/-5%	+/-5%	+/-5%
	ripple current(mA)	50	80	100
	working voltage range(V)	30-54	20-40	15-29
	Max. output voltage(V)	59	48	40
	dimming interface	Leading or Trailing Edge		
	dimming range	10-100%		
Input	rated supply voltage(Vac)	220-240	220-240	220-240
	voltage range(Vac)	198-264	198-264	198-264
	line frequency(Hz)	50/60	50/60	50/60
	input current(mA)	120	120	120
	efficiency ^②	81.8%	80.8%	78.5%
	power factor ^②	0.90	0.90	0.90
	inrush current(lpk)	2A/15us	2A/15us	2A/15us
Protection	over voltage protection	320Vac, 1 hour		
	short circuit protection	In case of a short circuit on the secondary side, the ECG will switch off		
	over temperature protection	ECG switches off if the temperature reaches a certain degree		
	automatic restart	ECG works in pulsed light output mode		
	over load protection	After elimination of the fault condition the ECG will recover automatically		
	surge capacity	L-N:0.5KV		
Ambient and Life	Ta(°C)	-20...40		
	Tc max. (°C)	90		
	Storage Temperature(°C)	-30...80		
	ambient humidity range	5%...85%RH, Not condensing		
	nominal life-time(hrs)	35000@Tc=85°C		
Other	weight(g)	75		
	dimensions (L×W×H)(mm)	121*45*20		
	casing material	Plastic		
	housing colour	Grey+Blue		
	type of protection	IP20		
	protection class	CLASS II		
Note	<p>1. Tolerance : includes set up tolerance, line regulation and load regulation.</p> <p>2. Tested at full load, 230Vac. Refer to "Power Factor" and "EFFICIENT" curve graphs.</p> <p>3. All parameters NOT specially mentioned are measured at nominal voltage input, rated load, 25 of ambient temperature and no dimmer.</p> <p>4. The power supply is considered as a component that will be operated in combination with final equipment. Since EMC performance will be affected by the complete installation, the final equipment manufacturers must re-qualify EMC Directive on the complete installation again.</p>			

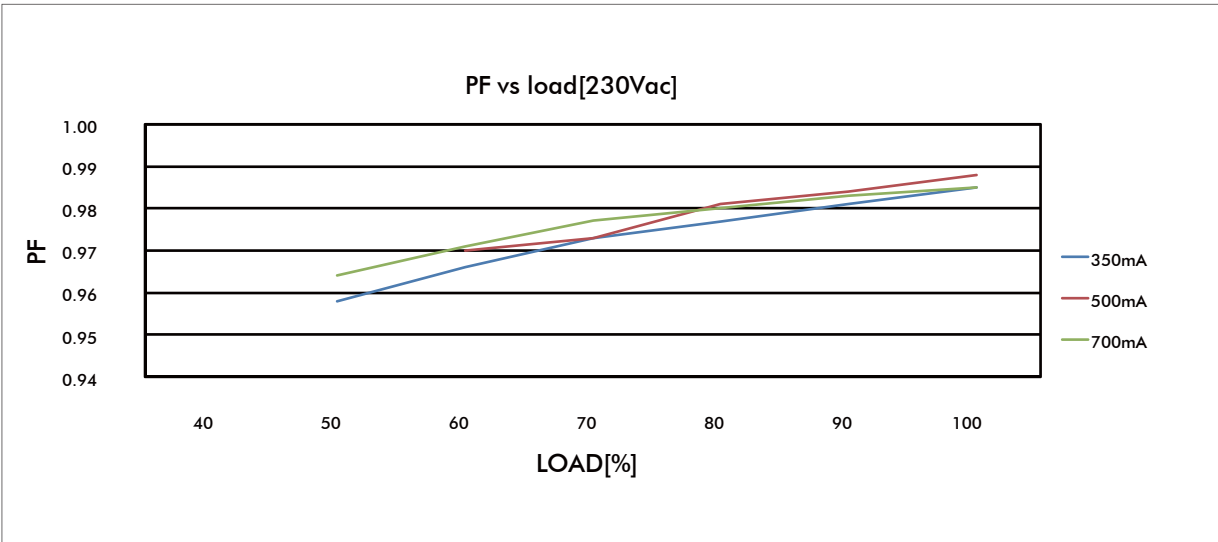
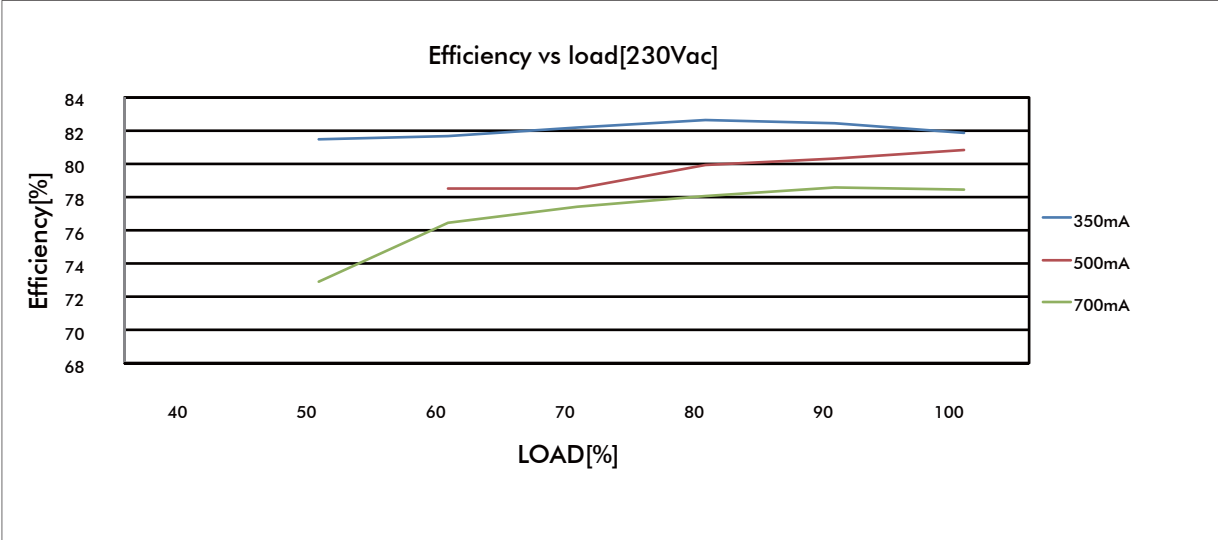
Dimensions(mm):



Wiring diagram:



Electrical curves:



Dimmer list approved by SELF:

Manufacturer	Model
SELF	SD910
SELF	SD810
Busch	6523U
Ygonix	33594C
Legrand	VRCM2
Schneider	pure
SCHNEIDER	220V50Hz400W
Siemens	230V50Hz 400Wmax
T&J	220V 50Hz 630Wmax
CHNT	220V 50Hz 500Wmax
ABB	220V 50Hz 600Wmax
GIRA	2262 00/I01
Duwi	DW700DA
VIMAR	14150/14153
Panasonic	WMK549
JUNG	225 TDE
Busch	6513U
SIMON	45E101
PROSPERING	03-0059

If flickering was observed, please contact SELF sales for possible solution

Sales & Technical Support:

Self Electronics Co.,Ltd.

Add: No. 1345 Ju Xian Road, Ningbo Hi Tech Park, Ningbo, China
 Tel: 0086-574-28805765,28805658(For English Assistance)
 0086-574-28805678 (For Chinese Assistance)
 Fax: 0086-574-28805656
 E-mail: sales@self-ecg.com
<http://www.self-ecg.com>

Self Electronics Co.,Ltd.,Shenzhen Office

Add: Room2007,Xinglang Xuan,Xinghe Mingju,Fuming Road,Futian District,Shenzhen
 Tel: 0086-755-83558850, 83558851
 Fax: 0086-755-83558840

SELF ELECTRONICS GERMANY GMBH

Add:August-Horch-Str. 7,51149 Koeln
 Tel: 0049 2203 18501-0
 Fax: 0049 2203 18501-199
 E-mail: saleseu@self-electronics.com

*Due to continuous improvements and innovations,specifications are subjected to change without notice.