



# LED POWER SUPPLY DATASHEET

## SNP75-12VFP

### ·DESCRIPTION

IP44 LED drivers, helpful for bathroom and kitchen lighting, SELV. short circuit, overload and over temperature protection. Compliance to ERP directive, lifetime 30,000hrs.



#### ·Input

Items	Conditions	Request	Note
Rated Input voltage	Ta	200-240Vac	--
Input frequency		50/60Hz	--
Input current	25°C, rated input voltage, output with max. rated power	< 0.50A	--
Input power		<85W	--
Efficiency		≥90 %	--
Standby		25°C, rated input voltage, output without load	<0.21W
Inrush current	25°C, rated input voltage	<75A	peak
PF	25°C, rated input voltage, output max. rated power	≥ 0.90	--

#### ·Temperate and others

Item	Conditions	Request	Note
Operation temp.	--	-20-45°C	--
Relative humidity	--	45%-85%	--
Max. case temp.	--	90°C	--
Lifetime	Max.Ta, rated input voltage, output with max.rated power	30,000hr	--
Working noise	25°C, rated input voltage, output with rated power, mute box background noise<35dB, pickup 10cm distance from products	yes	--

#### ·Protection

Items	Conditions	Request	Note
Open circuit	Ta, rated input voltage, no load	--	--
Over load	Ta, 0.94-1.06 times of input voltage, 2.0 times of rated power	yes	--
Short circuit	Ta, 0.94-1.06 times of input voltage	yes	--
Over temperature	IC detect temperature	yes	--
Over voltage	Ta, 0.94-1.06 times of input voltage, output voltage is 1.5 times of rated one	yes	--
Auto recovery	Over load, short circuit revocation	yes	--
Latch off	Over heat re-start after cut off	yes	--

#### ·Output

Items	Conditions	Request	Note
Startup time	25°C, rated input voltage, output with max. rated power	<0.5S	--
Output voltage and precision	Ta, rated input voltage, output with rated power	12V±5%	--
Output current range	Ta, rated input voltage	0-6.25A	60W
Output voltage wave	25°C, rated input voltage, output with max. rated power	180mV	Vp-p
Output overload	25°C, rated input voltage, output with 2 times LED load	Yes	--
Output current and precision	Ta, rated input voltage, output with rated power	--	--
Rated output voltage range	Ta, rated input voltage	--	--
Output current wave	25°C, rated input voltage, output with max. rated power	--	Ip-p
Dimming mode	--	--	--
Dimming range	--	--	--

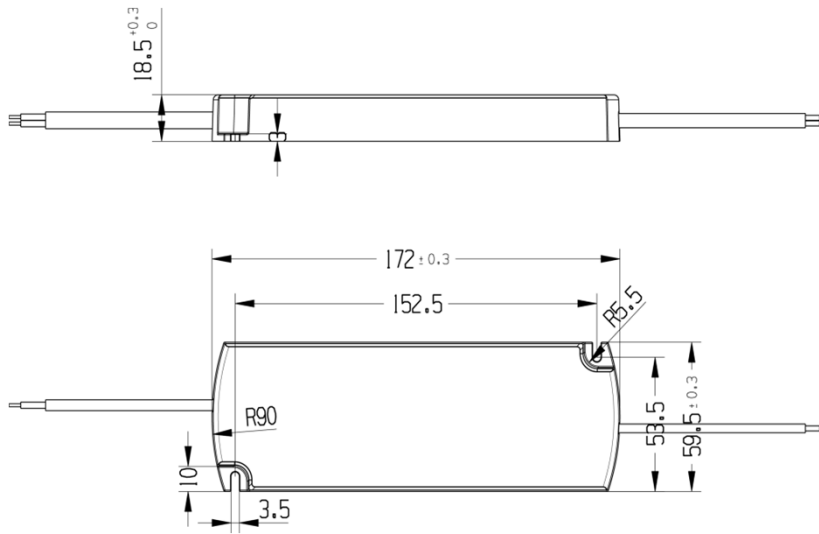
#### ·Mechanical, mounting

Items	Conditions
Case material and size	Plastic
Mounting ways	Independent
Insulation type	Class II
IP grade	IP44
Input cables dimension	H05VVH2-F 2*1.0mm2
Output cables dimension	H03VVH2-F 2*0.75mm2
Output cables length	15cm

#### ·Standard

Items	Conditions
Safety	IEC61347-1, IEC61347-2-13
Harmonic	EN61000-3-2 Class C
EMI	EN55015
EMS	EN61000-4-2, 3, 4, 5, 6 EN61547

## ● Dimensions(mm)



## ● Wiring Diagram

